



**TRINITY
HI-CAPA**



INDEX

WARNING

SPECIFICATIONS

HOP-UP & MAINTENANCE

EXPLODED VIEW SLIDE

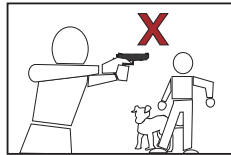
EXPLODED VIEW BARREL

EXPLODED VIEW FRAME AND GRIP

EXPLODED VIEW MAGAZINE



Never look into gun muzzle.



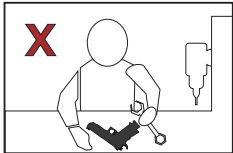
Never aim or shoot a person or animal as the target.



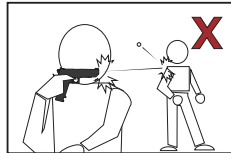
Never shoot as joking, always look before shoot, careless use may cause injure and be punished



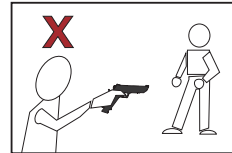
Never shoot airsoft gun at places where people and cars pass cross.



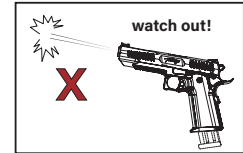
Never disassemble or modify airsoft gun, to avoid causing troubles and dangerous.



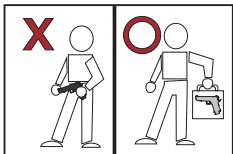
Avoid pulling the trigger carelessly.



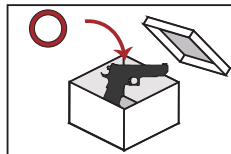
Always keep airsoft gun pointed in safe direction.



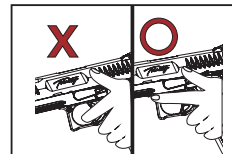
BB pellets may be shot out even if the magazine is removed.



Do not carryout in public place, put into a case or bag for carrying.



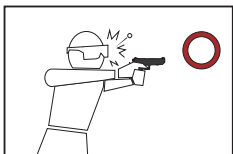
Store airsoft gun at places out of reach by children.



Always keep your fingers away from trigger until ready to shoot.



Always set the selector lever to Safety position until ready to shoot. Always keep airsoft gun unloaded until ready to use.

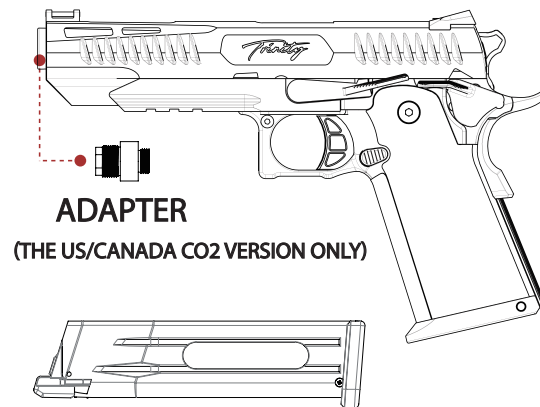
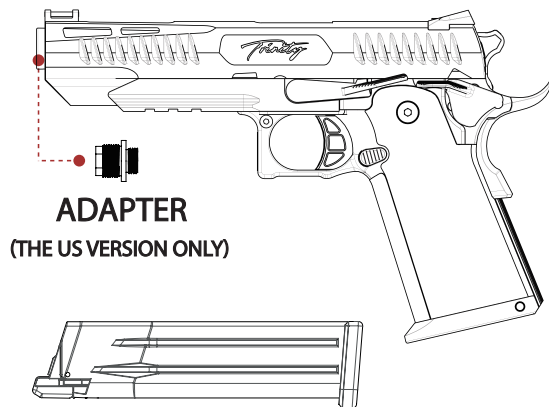



Always wear eye protective gear.
When shooting airsoft gun for a target or game, all participants must wear eye protective gear, also paying attention to ricochets. (Pay sufficient attention also to third personnel other than participants.)


! WARNING

- The operation procedure varies according to the model. Make sure to operate an airsoft gun after recognizing its features.
- We are not responsible for any accidents, events, injuries or repair costs arising from wrong operation and handling or by modification and disassembly of the gun.
- Repair cost is payable if user damages product with DIY work.

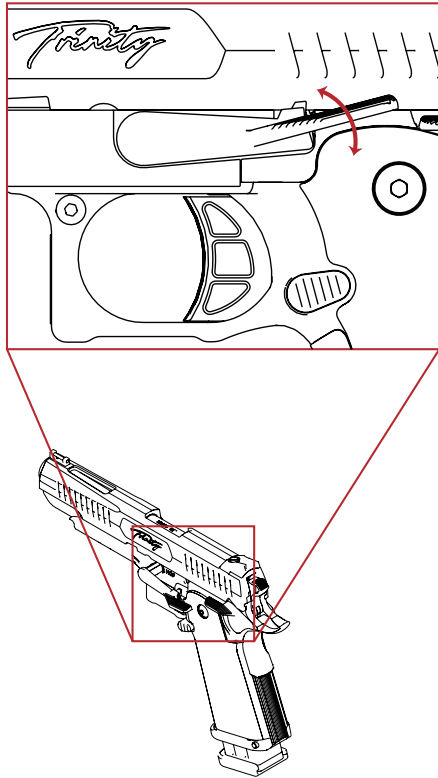
SPECIFICATIONS



	Trinity Hi-Capa Gas version
WEIGHT	0.57 kg (nylon fiber slide) 0.62 kg (aluminum alloy slide)
LENGTH	220 mm
BARREL LENGTH	113 mm
BARREL CALIBER	6.03mm
HOP UP	Adjustable
PELLET TYPE	6 mm BB
OPERATING TEMPERATURE	20-25°C 68-77°F
INITIAL SPEED (Japan)	Less than 0.98 Joule
INITIAL SPEED (Normal)	295-328 FPS
MAGAZINE	28 rds

	Trinity Hi-Capa CO2 version
WEIGHT	0.57 kg (nylon fiber slide) 0.62 kg (aluminum alloy slide)
LENGTH	220 mm
BARREL LENGTH	113mm 138mm (US/Canada)
BARREL CALIBER	6.03mm
HOP UP	Adjustable
PELLET TYPE	6 mm BB
OPERATING TEMPERATURE	20-25°C 68-77°F
INITIAL SPEED (Japan)	Less than 0.98 Joule
INITIAL SPEED (Normal)	366 FPS
MAGAZINE	26 rds

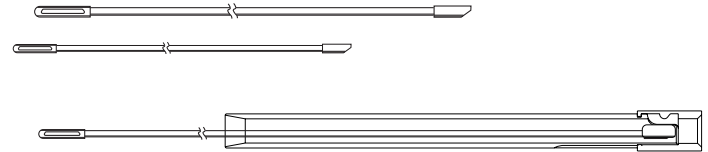
HOP-UP



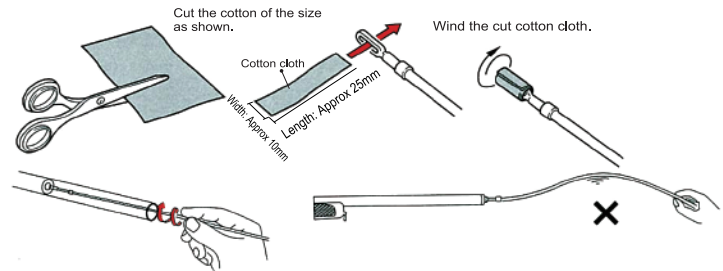
BY moving the lever to adjust the hop-up.
Clockwise to increase the hop-up.
Counterclockwise to decrease the hop-up .

MAINTENANCE

Drop a few drops of silicone oil from the pellet entrance,
then fire pullets equivalent to 1 or 2 maganzine.
Use the cleaning rod(with cotton) as shown below,
to remove the excess oil to complete the miantenance.



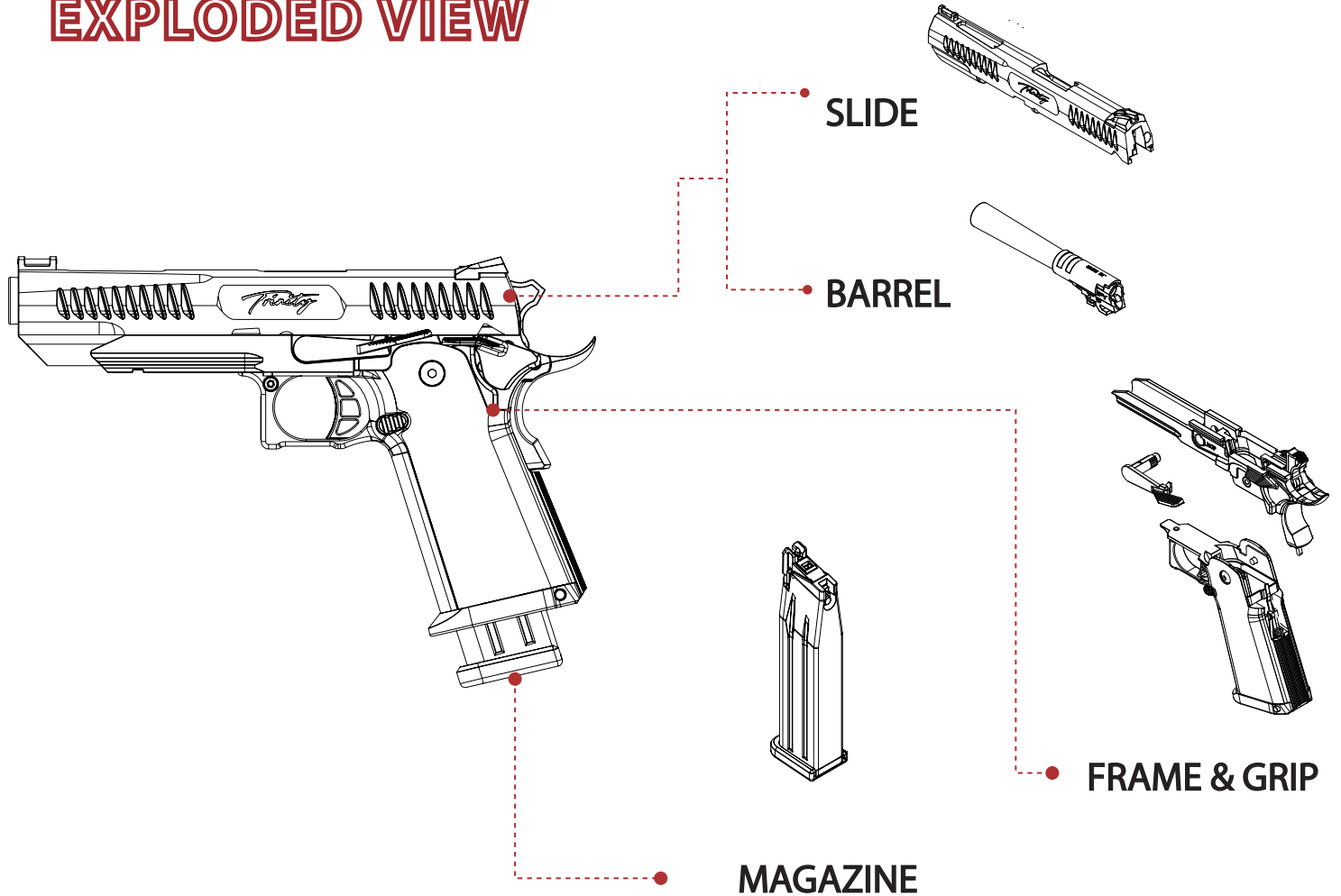
Always begin the maintenance by returning the hop up adjustment lever
to the Normal (HOP off) position.
The inside chamber is a precision component, it can be damaged easily.
Be careful during maintenance.
Never use any used pellets.



How to use a cleaning rod

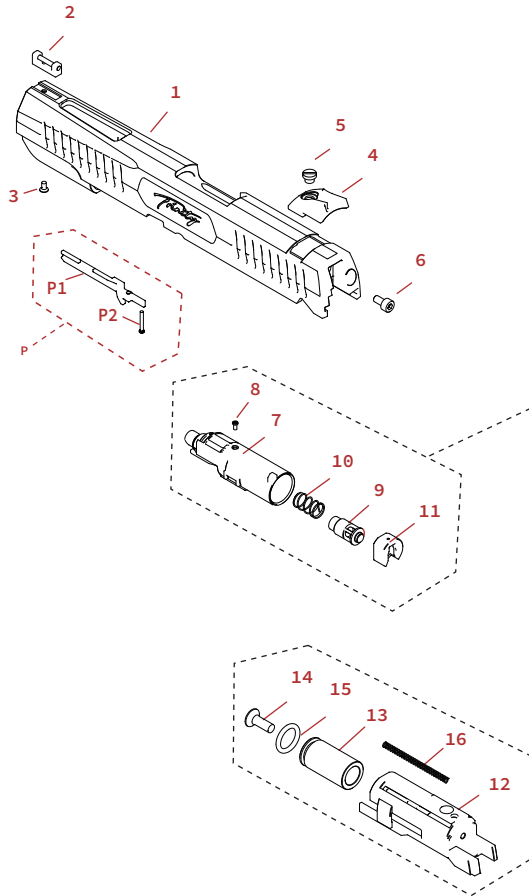
Cut a cotton cloth to the size as shown and insert
one end into the hole in the rod.(Adjust the length of
the cloth for smooth entry into the barrel.)

EXPLODED VIEW



EXPLODED VIEW

SLIDE 01



- 1 Slide
- 2 Front Sight Unit
- 3 Front Sight Screw(M2x4)
- 4 Rear Sight Unit
- 5 Rear Sight Screw(M4x2.6)
- 6 Nozzle Housing Screw(M3x6)

P For Plastic Slide

- P1 Slide Lock
- P2 Slide Lock Screw

Loading Nozzle set

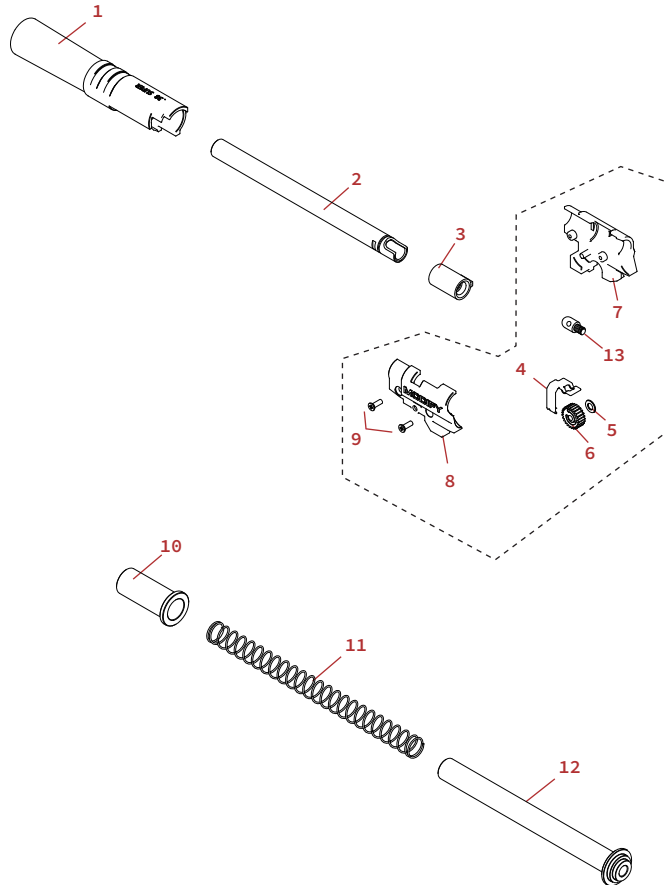
- 7 Cylinder
- 8 Valve Blocker Screw(M1.4x0.3)
- 9 Valve
- 10 Valve Spring
- 11 Nozzle Valve Blocker

Nozzle Housing set

- 12 Nozzle Housing
- 13 Nozzle Cover Housing
- 14 M4x16 Screw
- 15 Nozzle Cover Housing O-ring
- 16 Nozzle Spring

EXPLODED VIEW

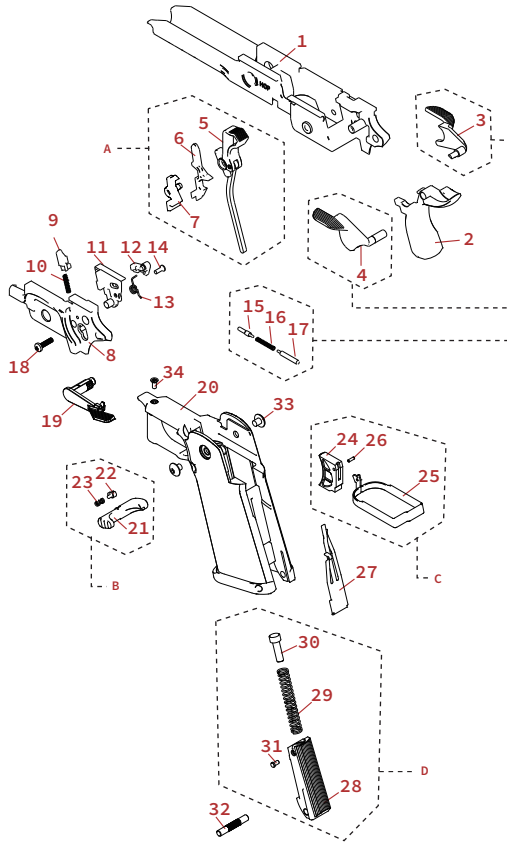
BARREL 02



- 1 Outer Barrel
- 2 Inner Barrel
- 3 Accurate Hop Up Bucking
- 4 Rapid HOP Plate
- 5 Washer
- 6 Rapid HOP adjustment gear
- 7 Rapid Hop-up Chamber (Right)
- 8 Rapid Hop-up Chamber (Left)
- 9 Rapid Hop-up chamber screw(2pcs)(M2x6)
- 10 Recoil Spring Guide Plug
- 11 Recoil Spring
- 12 Recoil Spring Guide
- 13 Guide pin

EXPLODED VIEW

FRAME AND GRIP



- 1 Frame
- 2 Grip Safety
- 3 Right-thumb safety
- 4 Left-thumb safety
- 5 Hammer Assembly
- 6 Disconnecter
- 7 Sear
- 8 Mid-section left-plate
- 9 Air-cutoff plate
- 10 Air-cutoff spring
- 11 Knocker Housing
- 12 Knocker
- 13 Knocker Housing Spring
- 14 Knocker Housing Screw
- 15 Pin
- 16 Spring
- 17 Pin
- 18 Left-plate Screw (M2.5x8)
- 19 Hop Adjustable Slide Stop
- 20 Grip
- 21 Magazine Catch
- 22 Magazine Catch Lock
- 23 Magazine Catch spring
- 24 Trigger
- 25 Trigger Ring
- 26 Trigger Spring Lock
- 27 Sear Spring
- 28 Hammer Spring Housing
- 29 Hammer Spring
- 30 Hammer Spring Holder
- 31 Hammer Spring Lock Pin
- 32 Hammer Spring Housing set pin
- 33 Steel Grip Screw(2pcs) (M4x4.4)
- 34 Grip Screw (M2.5x6)

B Magazine Release

C Rapid Trigger set

D Hammer Spring Housing Set

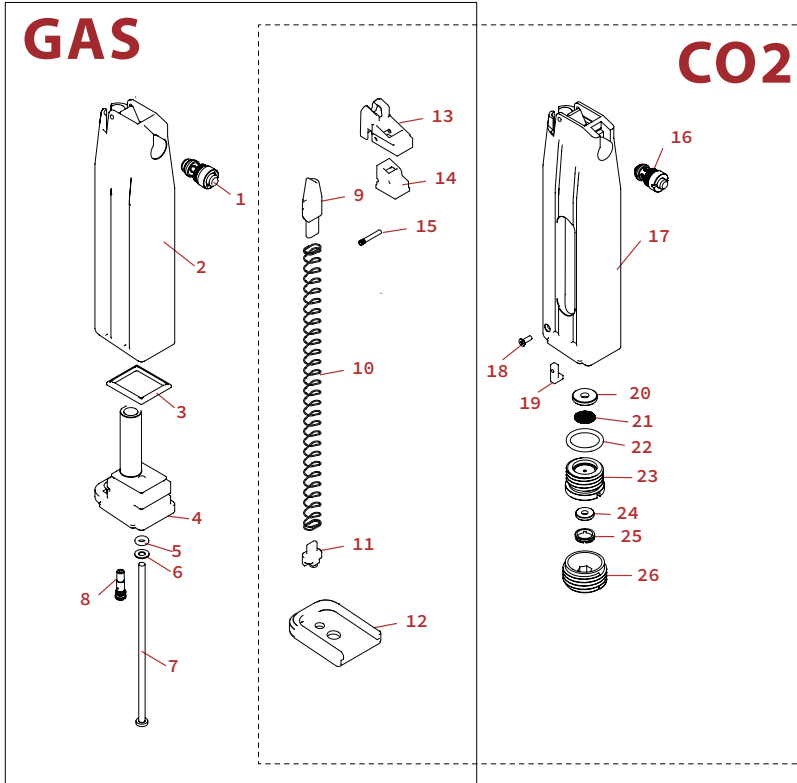
Thumb Safety

A Fire Control Unit

Plunger Pins

EXPLODED VIEW

MAGAZINE 04



- | | | |
|-----------------------|--------------------------|-------------------|
| 1 Valve | 11 Magazine Spring Guide | 21 Steel Web |
| 2 Magazine | 12 Base Pad | 22 O-ring |
| 3 Seal Pad | 13 Feeding Lip | 23 Piercing Valve |
| 4 Lower-half Magazine | 14 Lip Seal | 24 Washer |
| 5 O-ring | 15 Feeding Lip Pin | 25 Screw |
| 6 Washer | 16 CO2 Valve | 26 CO2 End Cap |
| 7 Base Mount Screw | 17 CO2 Magazine | |
| 8 Gas Injection Valve | 18 M2x6 Screw | |
| 9 Magazine Follower | 19 Guide Stop | |
| 10 Magazine Spring | 20 Washer | |



886-3-379-8879



sales@modify.com.tw
marketing@modify.com.tw



N0.21, Ln.384, Yongfeng Rd. Bade Dist,
Taoyuan City 334015, Taiwan



WEBSITE



INSTAGRAM



FACEBOOK