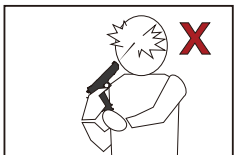


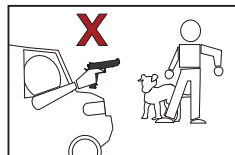
Trinity-X Hi-Capa Pistol



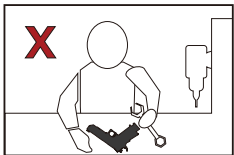
Never look into a muzzle.



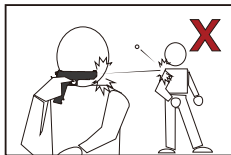
Never aim or shoot people or animals.



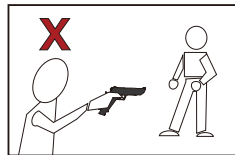
Never treat an airsoft gun as a toy. Always use an airsoft gun carefully to avoid injury and liability.



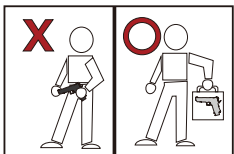
Never disassemble or modify an airsoft gun without authorized help to avoid hazard and danger.



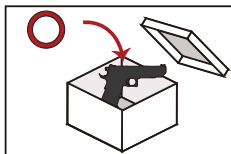
Do not load an airsoft gun until ready to use.



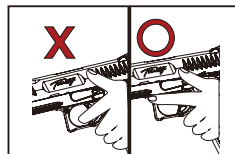
Pay attention also to onlookers not operating an airsoft gun.



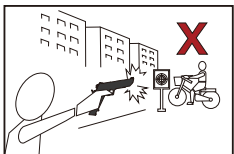
Only carry an airsoft gun in public inside a case.



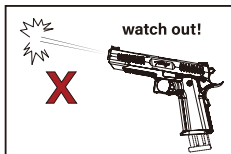
Store an airsoft gun out of reach of children.



Always keep your fingers away from the trigger until ready to shoot.



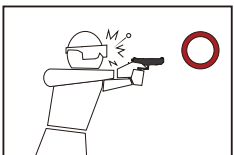
Never shoot an airsoft gun near people and vehicles.



BBs may be fired even if a magazine is removed.



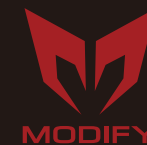
Always set the selector to Safety until ready to shoot.



Always wear eye protection when target shooting or combating to protect also against ricochet.

WARNING

- The operation varies according to the model. Learn the features before using an airsoft gun.
- Modify-Tech is not liable for accidents, injuries or repair costs resulting from wrongful operation, handling, modification and disassembly.
- Users are liable for repair costs if guns are damaged due to DIY work.



TRINITY-X HI-CAPA



886-3-379-8879



886-3-369-5091



sales@modify.com.tw
marketing@modify.com.tw



NO.21, Ln.384, Yongfeng Rd. Bade Dist,
Taoyuan City 334015, Taiwan



WEBSITE

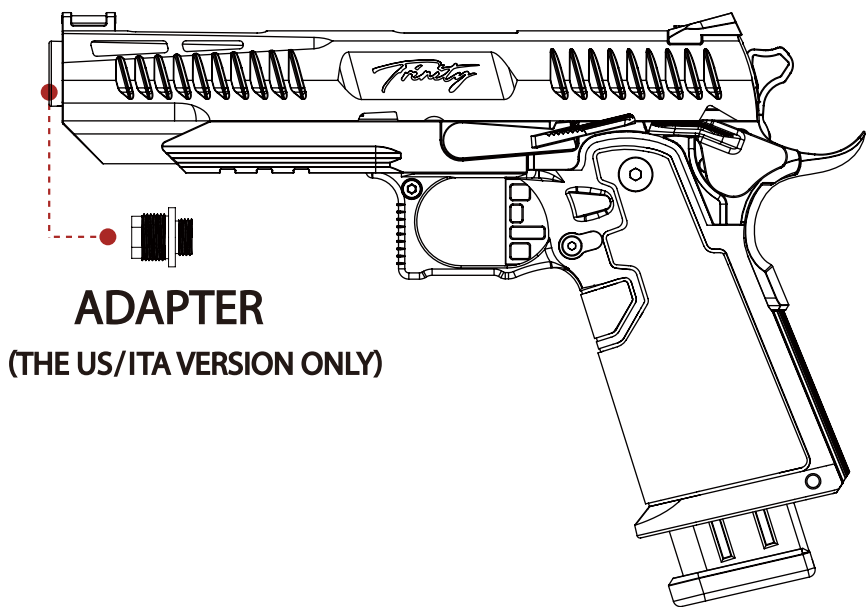


INSTAGRAM




FACEBOOK

SPECIFICATIONS

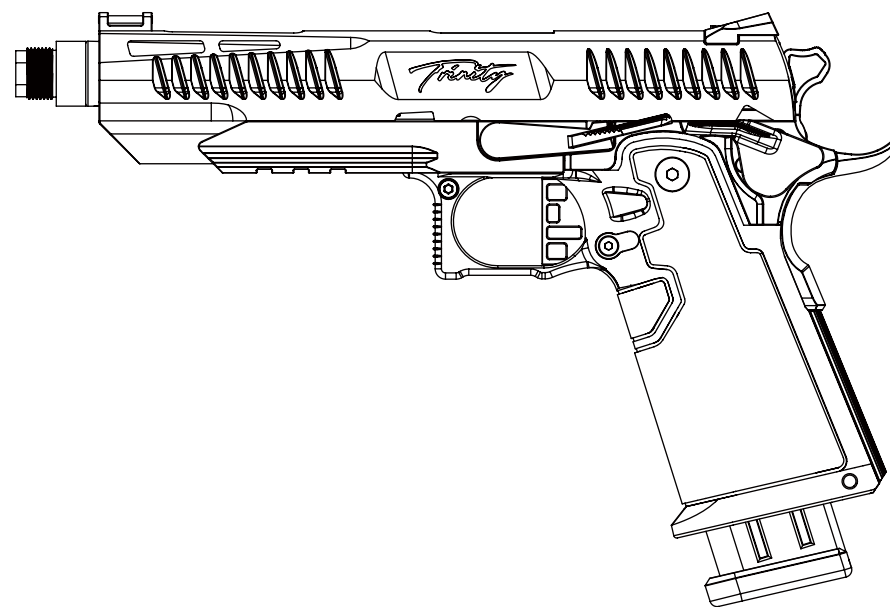



ADAPTER
(THE US/ITA VERSION ONLY)

	Trinity-X 5.1
WEIGHT	0.62 kg (aluminum alloy slide)
LENGTH	220 mm
BARREL LENGTH	113 mm
BARREL CALIBER	6.03mm
HOP UP	Adjustable
PELLET TYPE	6 mm BB
OPERATING TEMPERATURE	20~25°C 68~77°F
INITIAL VELOCITY (GAS)	310 FPS
INITIAL VELOCITY (CO2)	330 FPS
MAGAZINE CAPACITY	26~28 rds

The actual velocity is different between countries, and strictly follows the countries' law requirement as accordingly.

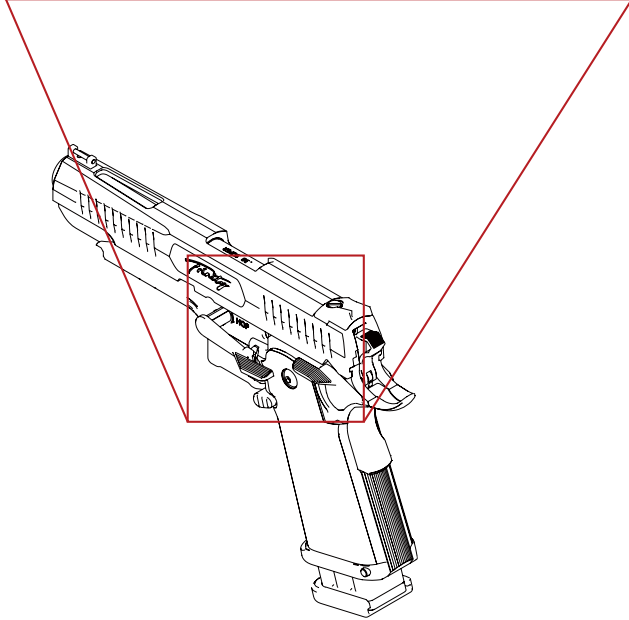
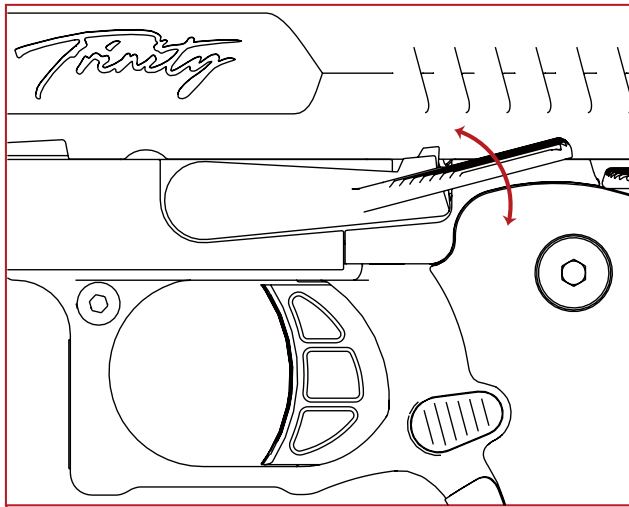
SPECIFICATIONS



	Trinity-X 6
WEIGHT	0.63 kg (aluminum alloy slide)
LENGTH	240 mm
BARREL LENGTH	138 mm
BARREL CALIBER	6.03mm
HOP UP	Adjustable
PELLET TYPE	6 mm BB
OPERATING TEMPERATURE	20~25°C 68~77°F
INITIAL VELOCITY (GAS)	330 FPS
INITIAL VELOCITY (CO2)	375 FPS
MAGAZINE CAPACITY	26~28 rds

The actual velocity is different between countries, and strictly follows the countries' law requirement as accordingly.

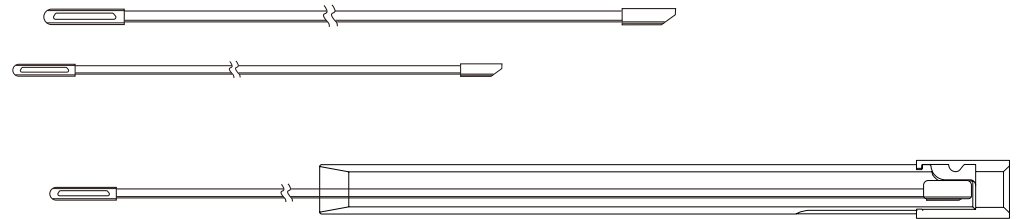
HOP-UP



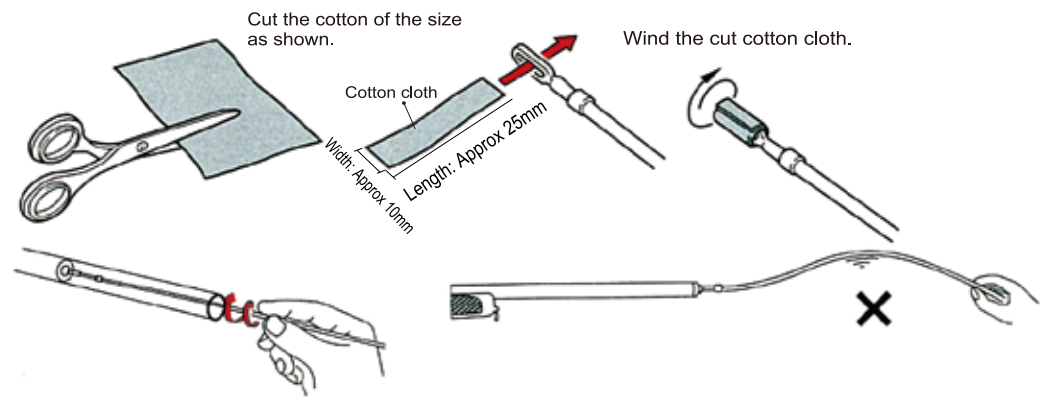
BY moving the lever to adjust the hop-up.
Clockwise to increase the hop-up.
Counterclockwise to decrease the hop-up .

MAINTENANCE

Drop a few drops of silicone oil from the pellet entrance, then fire pellets equivalent to 1 or 2 magazine. Use the cleaning rod (with cotton) as shown below, to remove the excess oil to complete the maintenance.



Always begin the maintenance by returning the hop up adjustment lever to the Normal (HOP off) position. The inside chamber is a precision component, it can be damaged easily. Be careful during maintenance. Never use any used pellets.

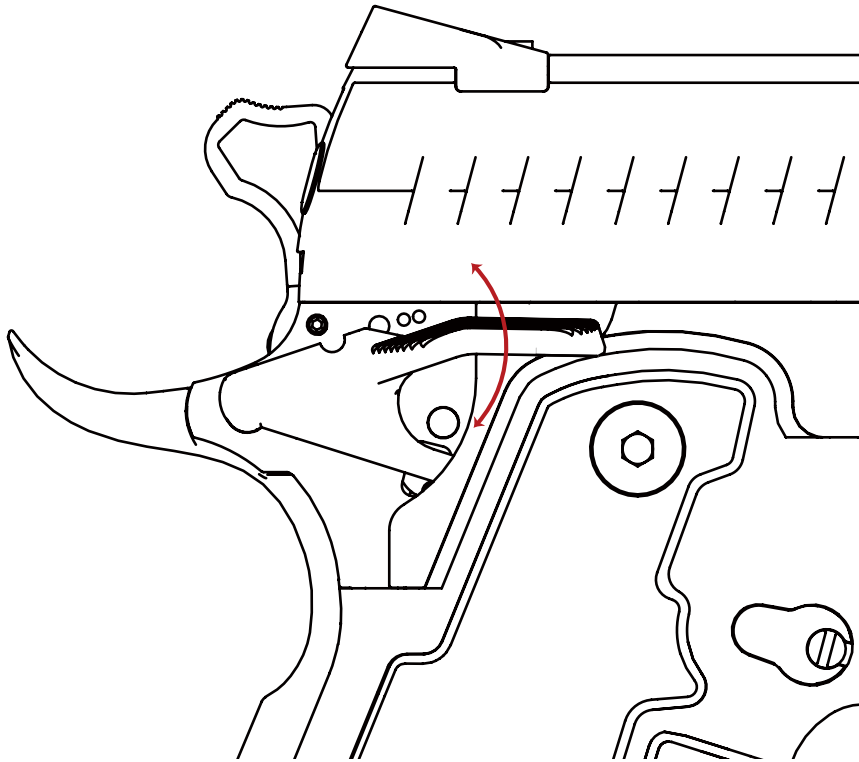


How to use a cleaning rod

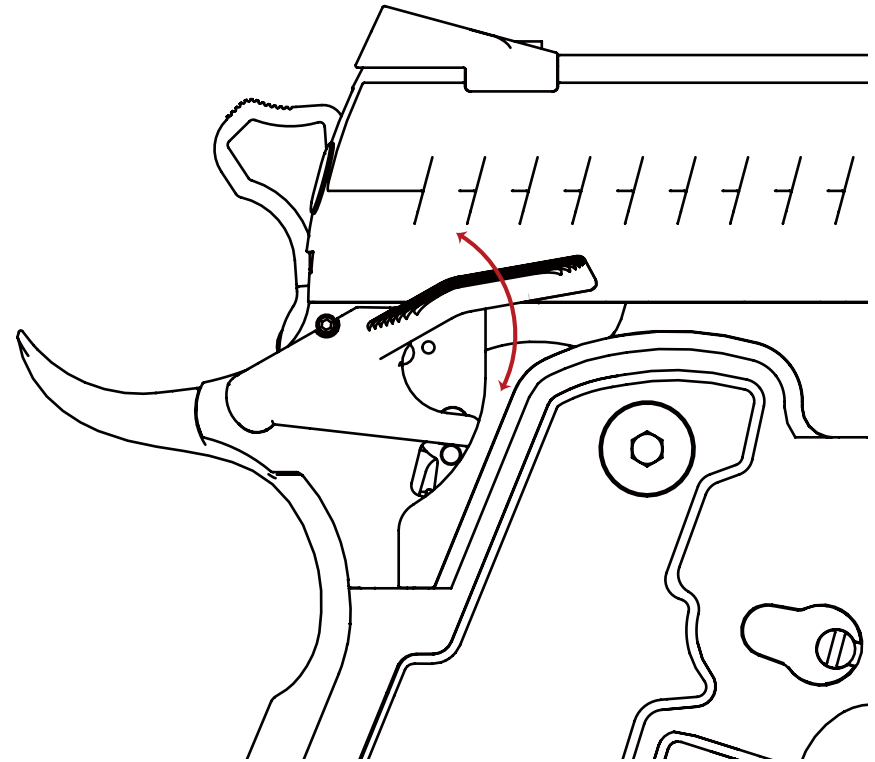
Cut a cotton cloth to the size as shown and insert one end into the hole in the rod. (Adjust the length of the cloth for smooth entry into the barrel.)

Switching Firing Mode

Full-Auto



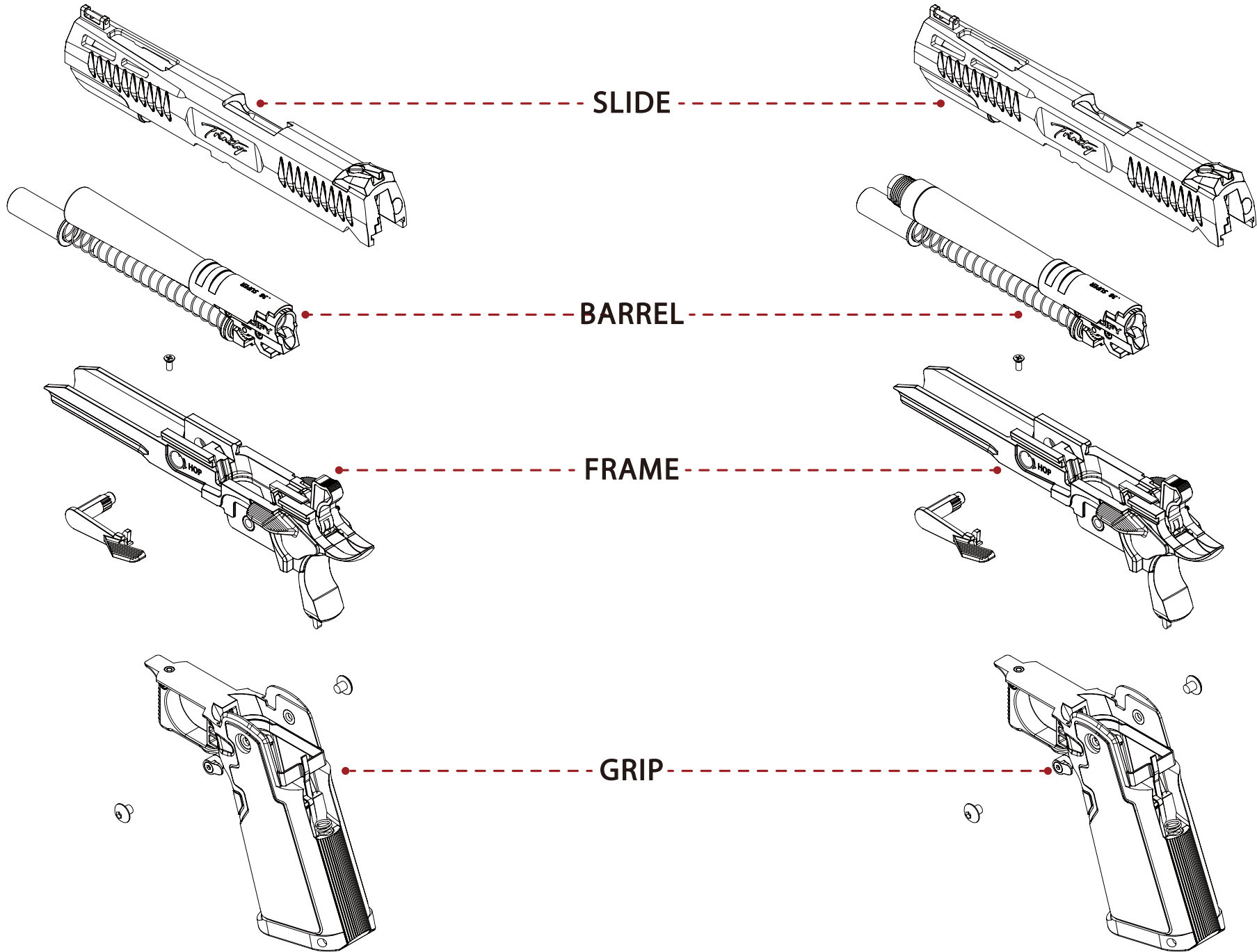
Semi-Auto



Adjust the lever to change the firing mode.
Push upward for semi-auto mode, and press downward for full-auto mode.

EXPLODED VIEW

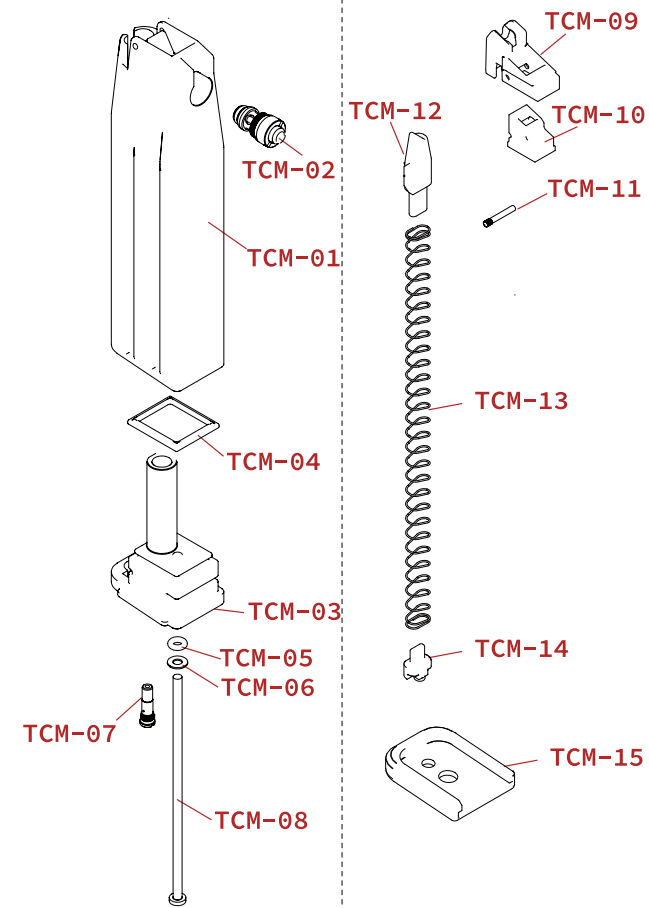
Trinity-X 5.1" / Trinity-X 6"



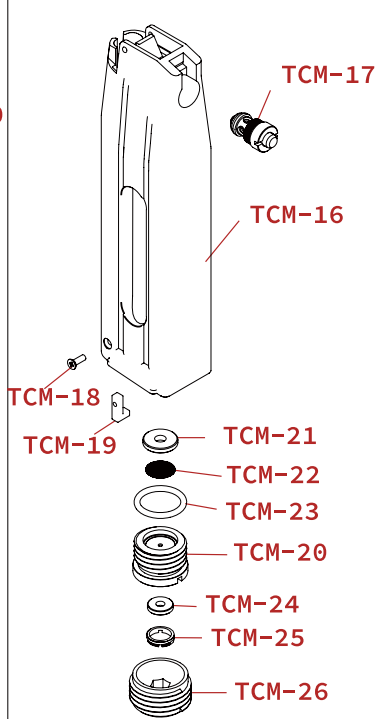
EXPLODED VIEW

MAGAZINE

GAS



C02



TCM-02	Valve	TCM-14	Magazine Spring Guide	TCM-22	Steel Web
TCM-01	Magazine	TCM-15	Base Pad	TCM-23	O-ring
TCM-04	Seal Pad	TCM-09	Feeding Lip	TCM-20	Piercing Valve
TCM-03	Lower-half Magazine	TCM-10	Lip Seal	TCM-24	Washer
TCM-05	O-ring	TCM-11	Feeding Lip Pin	TCM-25	Screw
TCM-06	Washer	TCM-17	C02 Valve	TCM-26	C02 End Cap
TCM-08	Base Mount Screw	TCM-16	C02 Magazine		
TCM-07	Gas Injection Valve	TCM-18	M2x6 Screw		
TCM-12	Magazine Follower	TCM-19	Guide Stop		
TCM-13	Magazine Spring	TCM-21	Washer		