



STEYR SCOUT

6MM BOLT ACTION SNIPER RIFLE INSTRUCTION MANUAL

WARNING!

+18 NOT A TOY. USER RESTRICTED TO 18 YEARS OF AGE OR OLDER.



ALWAYS KEEP THE AIRSOFT GUN POINTED IN A SAFE DIRECTION.
THIS AIRSOFT GUN MAY CAUSE SERIOUS INJURY IF MISUSED OR MISHANDLED.

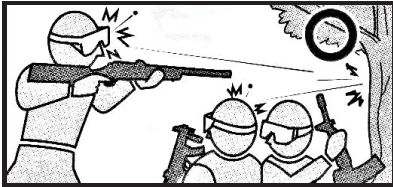


ALWAYS READ THROUGH ALL INSTRUCTIONS BEFORE USING.



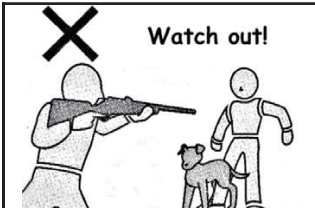
THE PURCHASER AND USER SHOULD CONFORM TO ALL LAWS GOVERNING OWNERSHIP,
TRANSPORT AND USE OF AIRSOFT GUNS.

Steyr Scout Bolt Action Sniper Rifle



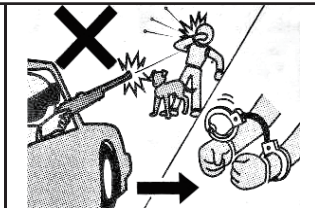
Always wear eye protective gear.

When shooting airsoft gun for a target or game, you and all participants, you and all participants must wear goggles or other eye protective gear, also paying attention to ricochets. (Pay sufficient attention also to third personnel other than participants.)

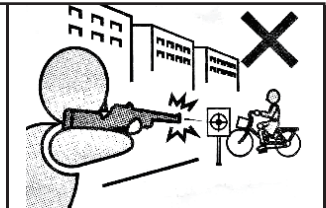


Watch out!

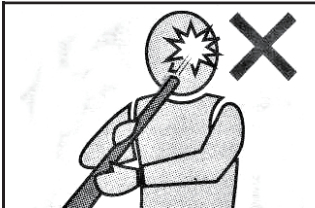
Never aim or shoot a person or animal as the target.



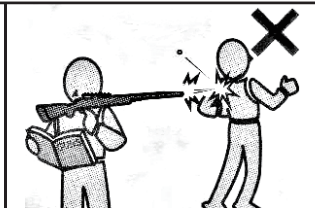
Never shoot as joking, always look before shoot, careless use may cause injure and be punished.



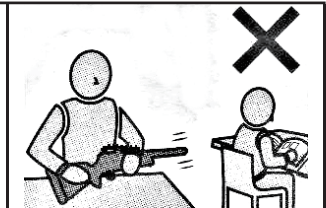
Never shoot airsoft gun at places where people and cars pass cross.



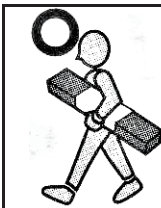
Never look into gun muzzle.



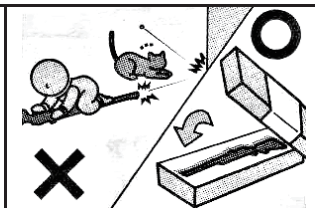
Avoid pulling the trigger carelessly.



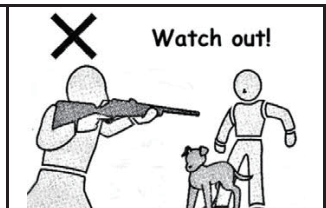
Always keep airsoft gun pointed in safe direction.



Do not carryout in public place, put into a case or bag for carrying.

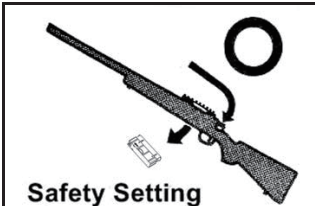


Store airsoft gun at places out of reach by children.



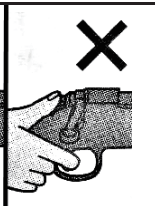
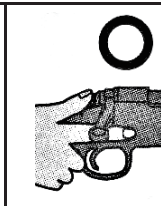
Watch out!

BB pellets may be shot out even if the magazine is removed.



Safety Setting

Always set the selector lever to Safety position until ready to shoot. Always keep airsoft gun unloaded until ready to use.



Always keep your fingers away from trigger until ready to shoot.

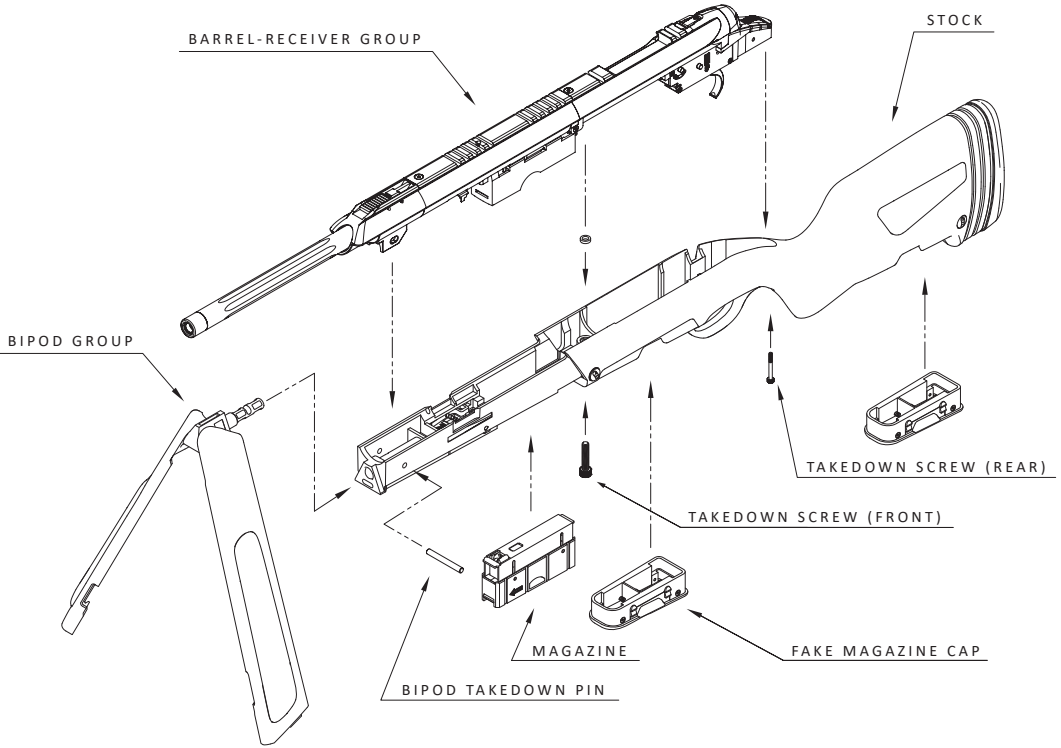



Never disassemble or modify airsoft gun, to avoid causing troubles and dangerous.

⚠ WARNING!

- The operation procedure varies according to the model. Make sure to operate an airsoft gun after recognizing its features.
- We are not responsible for any accidents, events, injuries or repair costs arising from wrong operation and handling or by modification and disassembly of the gun.
- Repair cost is payable if user damages product with DIY work.

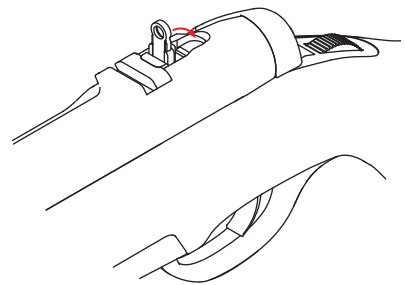
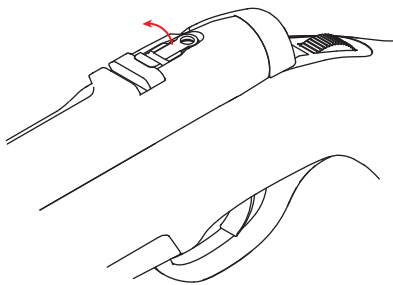
1 SPECIFICATIONS



	
WEIGHT	2.9 kg
LENGTH	1005 mm
BARREL LENGTH	363 mm
BARRELE CALIBER	6.03 mm
HOP UP ADJUSTMENT	Adjustment lever & TDC
MAGAZINE	32 rds
COLOR	BLK/GRAY
POWER OUTPUT (Normal / Japan)	1.82 J / 0.9 J (Spring)
PELLET TYPE	6 mm BB
INITIAL SPEED (Normal / Japan)	443 FPS (135 m/s) / 312 FPS (95 m/s)
This product is not compatible with Tokyo Marui VSR10 system	

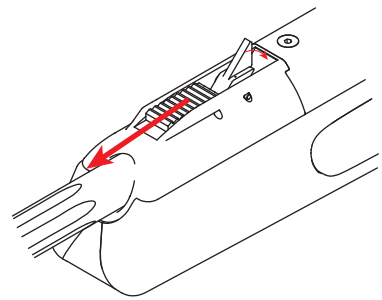
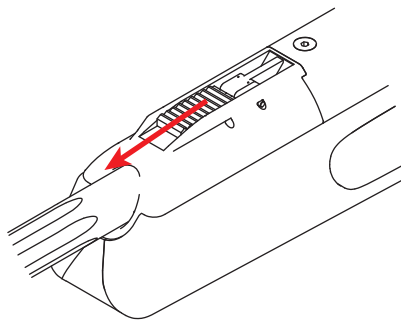
Rear sight

Pull up on the rear sight atop of the trigger.
Simply push it down to return to place.

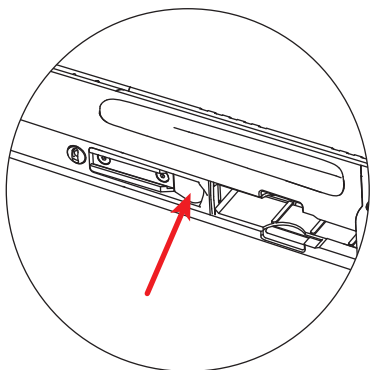


Front sight

Push the switch on the front sight to have it pop up.
Repeat and push down the front sight to return to place.

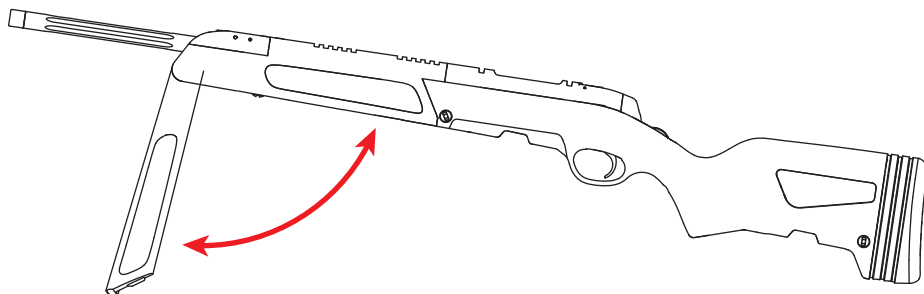


3 BI-POD



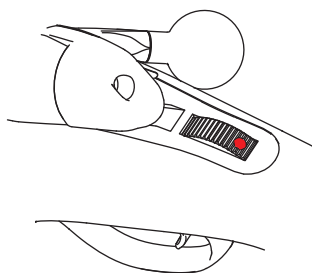
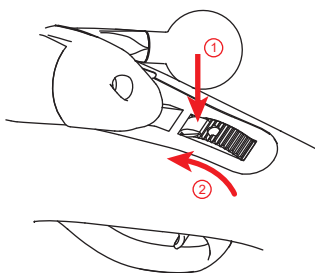
Push on the bipod release switch to drop it down. Simply push it back up to retract.

**The bipod is a moving part so repeated use typically causes wear.*



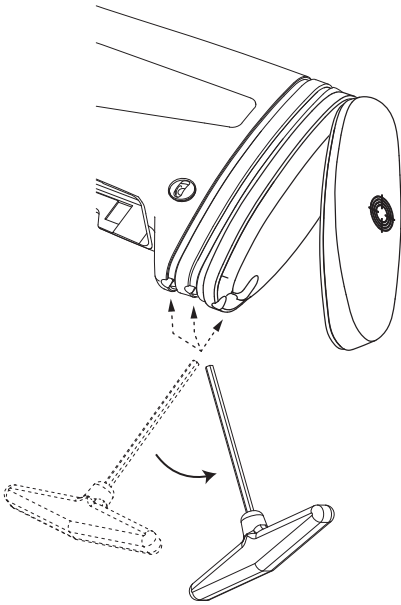
4 SAFETY

Press the white button and roll forward to release the safety. It is armed (firing ready) if the red mark appears.

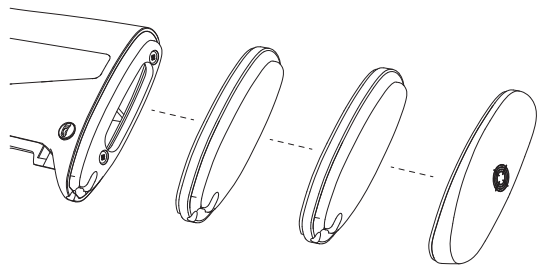


5

BUTTSTOCK ADJUSTMENT



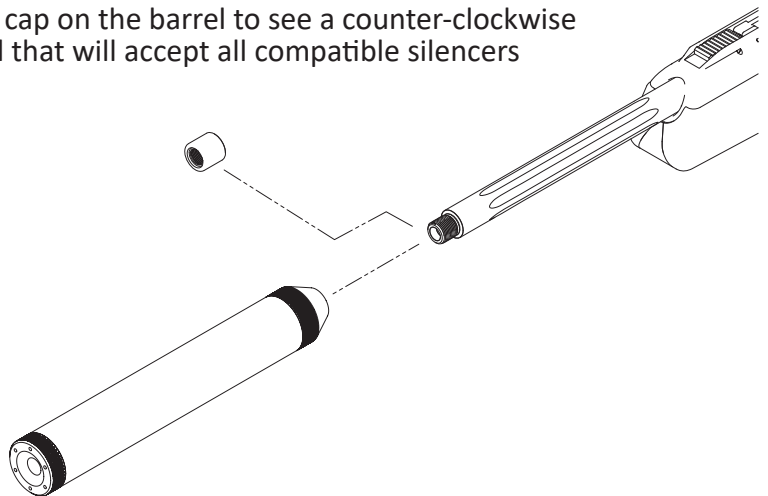
Stick a hex key inside the hole under the butt plate and pry it open to adjust the length.



6

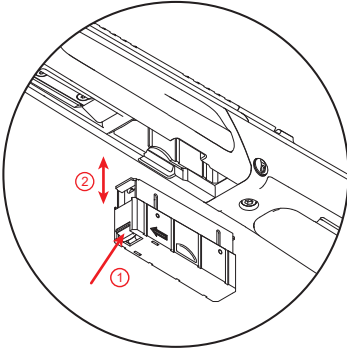
SILENCER INSTALLATION

Remove the front cap on the barrel to see a counter-clockwise 14mm-dia. thread that will accept all compatible silencers on the market.



7

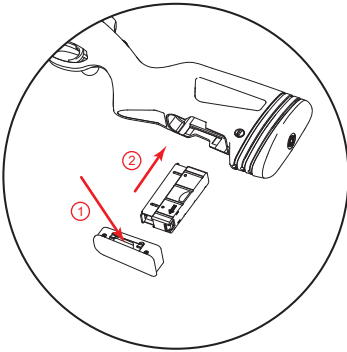
MAGAZINE INSTALLATION



Main magazine

Simply snap the magazine into place as necessary. Press the magazine release button to remove it.

**Non-compatible with MOD24 standard magazine, which can only be used by changing the magazine inner case.*



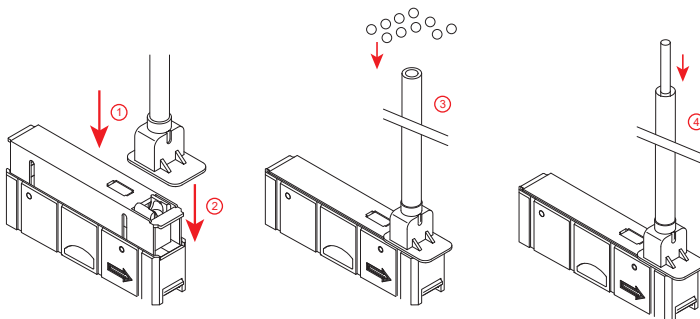
Spare magazine

Press the 2 side buttons to remove the dust cover. Insert the spare magazine vertically into the buttstock.

8

REFILLING BBS

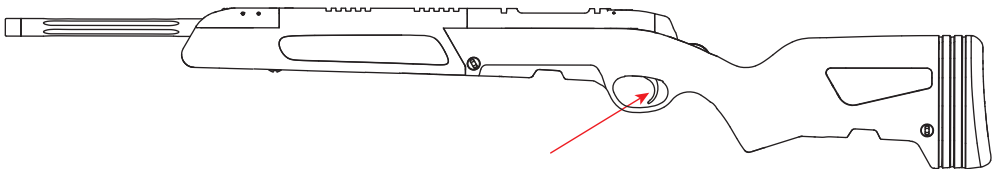
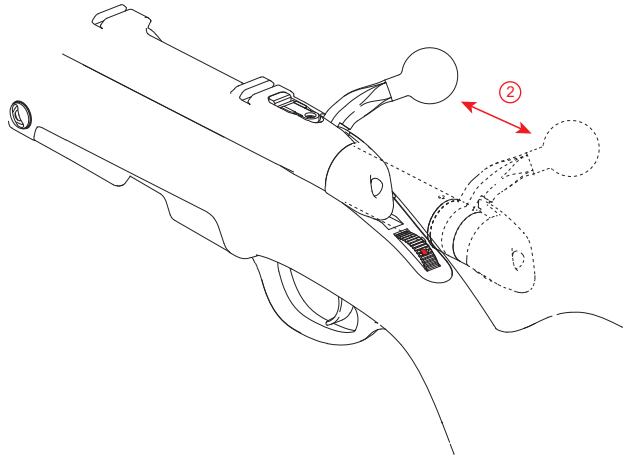
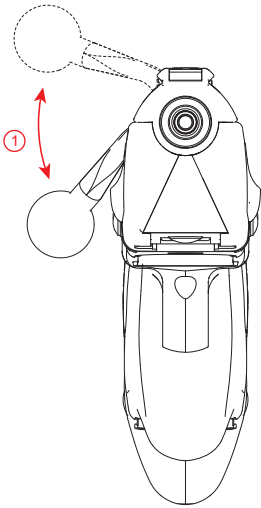
Press on the magazine to let magazine feeding lip pop out (1). Aim the BB filler to the feed lip on the magazine (2). Start refilling BBs into the magazine (3). Push BBs in place with the pusher or rod (4).



9

READY TO FIRE

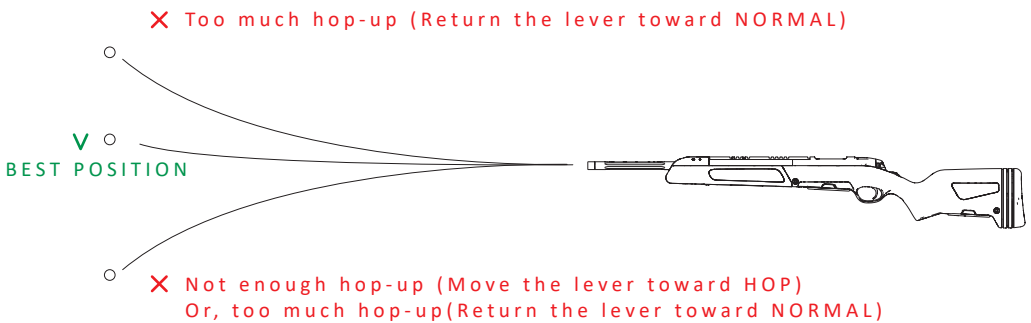
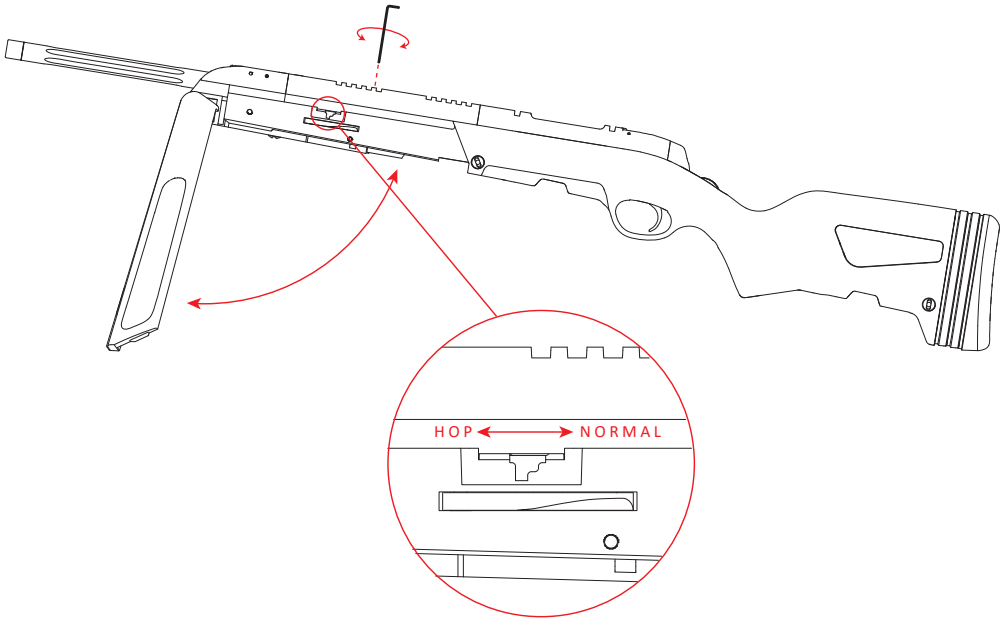
Pull up on the charging handle and then pull all the way back to load .
With the action in place, make sure the charging handle is secure in position before firing by pulling the trigger. **(Not available on Safety)**



10

HOP UP ADJUSTMENT

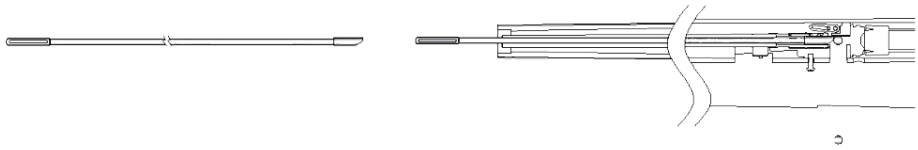
Both adjustment lever and TDC are available on this gun, you can choose between one of them. Release the bipod to see the HOP UP adjustment lever, or adjust the TDC on the top of the rail. Clockwise to increase the hop-up. Counterclockwise to decrease the hop-up.



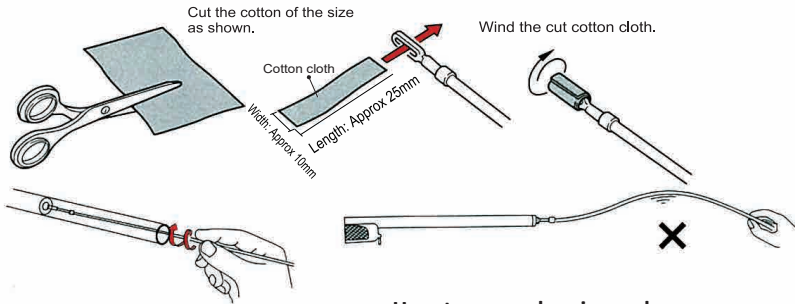
11

MAINTENANCE

Drop a few drops of silicone oil from the pellet entrance, then fire pullets equivalent to 1 or 2 magazine. Use the cleaning rod(with cotton) as shown below, to remove the excess oil to complete the miantenance.



Always begin the maintenance by returning the hop up adjustment lever to the Normal (HOP off) position. The inside chamber is a precision component, it can be damaged easily. Be careful during maintenance. Never use any used pellets.



How to use a cleaning rod

Cut a cotton cloth to the size as shown and insert one end into the hole in the rod.(Adjust the length of the cloth for smooth entry into the barrel.)

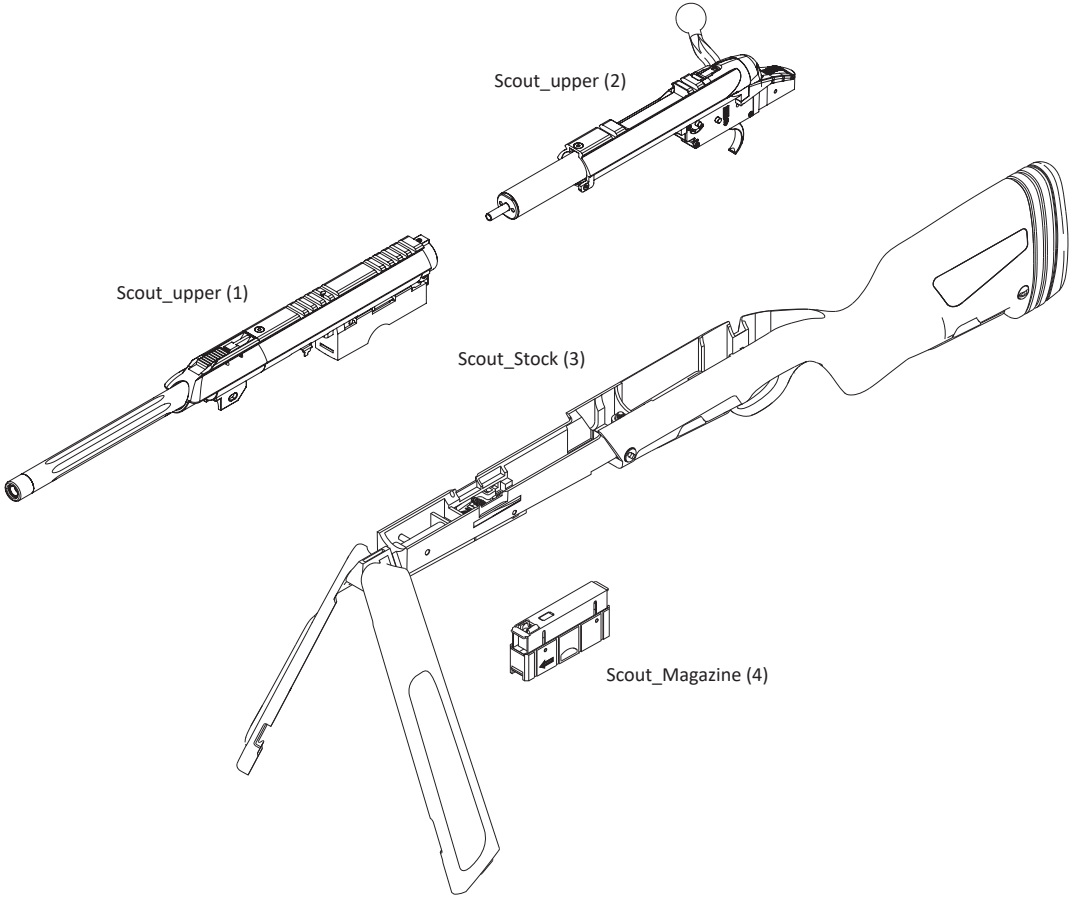
12

Q&A

Is it a VSR10?	It is not VSR10 compatible.
Is it a MOD24 system?	Yes, but with the Bore-Up cylinder system.
Is it interchangeable with the MOD24 magazine?	Its Maganzine inner case does not fit.
Are the parts interchangeable with that on the MOD24?	It is compatible with trigger unit, hop up chamber and inner barrel.
Hop up bucking recommendation?	Predator hop up bucking.
How to fix stuck BBs?	Pull back the bolt to full stop. Then dislodge BBs with a cleaning rod.
How to fix poor trajectory?	Clean the barrel, check the airtight and then adjust the hop up as necessary.
How to fix a broken airsoft gun?	Hand it over to the nearest distributor or tech. DO NOT DIY to avoid warranty problems.

13

EXPLODED VIEW



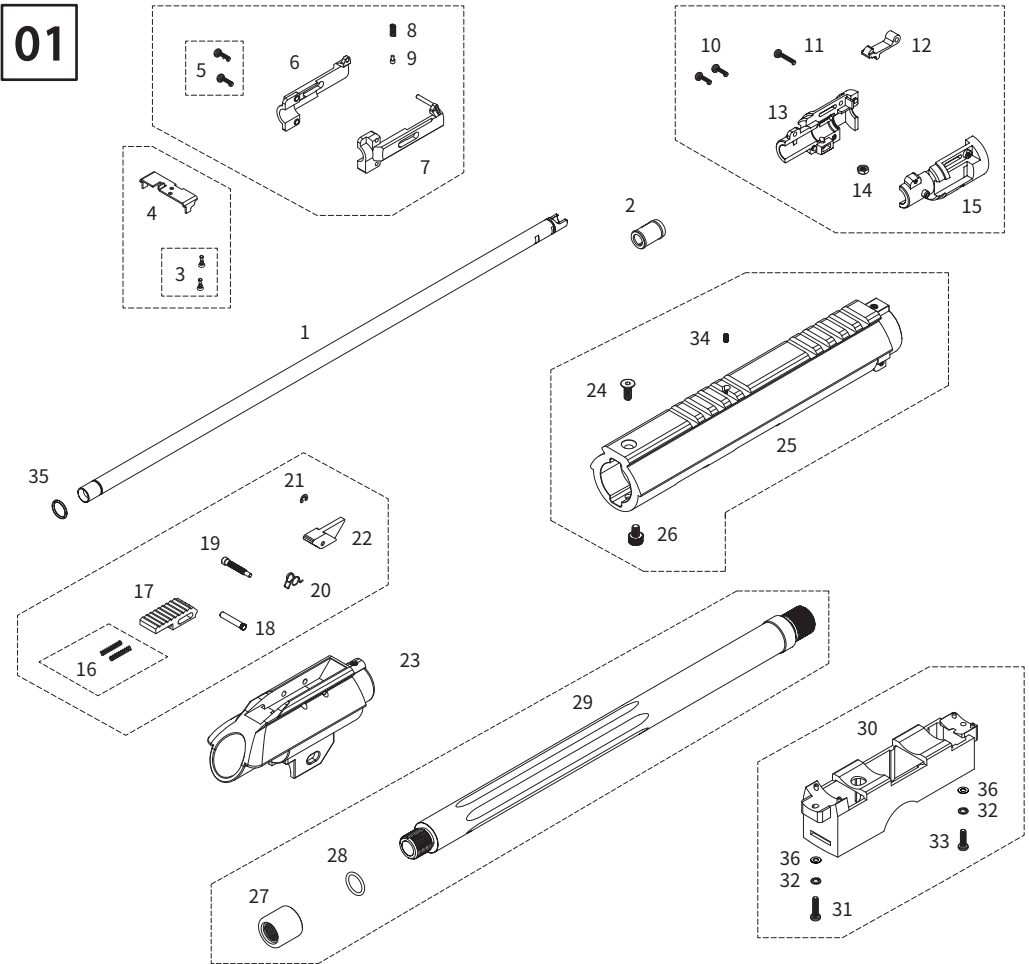
Modify Airsoft
Owners Group



[Steyr Scout]
How-To

14

EXPLODED VIEW

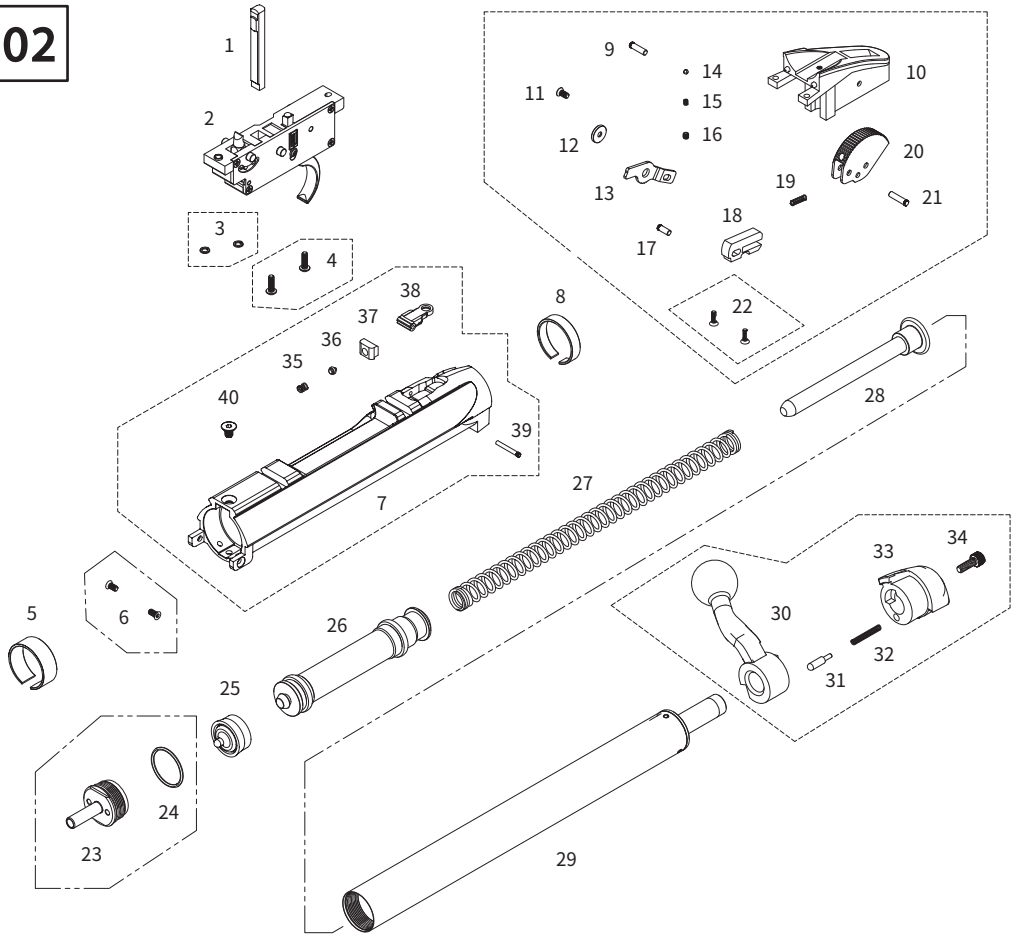


- | | | | |
|--------------------------------------|-------------------------------------|---------------------------------------|----------------------------------|
| 01-1 Inner Barrel | 01-11 M2.5x12 Screw | 01-21 Thrust Washer | 01-31 M3X12 Combine Screw |
| 01-2 Predator Hop Up Bucking | 01-12 Hop Up Arm | 01-22 Front Sight | 01-32 Washer (2 pcs) |
| 01-3 M2X6 Self-Tapping Screw | 01-13 Hop Up Chamber (right) | 01-23 Barrel Extension Housing | 01-33 M3X10 Combine Screw |
| 01-4 Hop Up Adjustment Lever | 01-14 Chamber Nut | 01-24 M4X10 Headless Screw | 01-34 TDC Screw |
| 01-5 M2.5x8 Screw (2 pcs) | 01-15 Hop Up Chamber (left) | 01-25 Middle Receiver | 01-35 O-ring |
| 01-6 Hop Adjuster (right) | 01-16 Slide Spring | 01-26 M4X6 Headless Screw | 01-36 Washer (2 pcs) |
| 01-7 Hop Adjuster (left) | 01-17 Sight Release Slide | 01-27 Barrel Front Cap | |
| 01-8 Hop Up Adjustment Spring | 01-18 Pin | 01-28 Front Cap O-ring | |
| 01-9 Hop Up Adjustment Pin | 01-19 Sight Adjustment Screw | 01-29 Outer Barrel | |
| 01-10 M2.5x8 Screw (2 pcs) | 01-20 Spring | 01-30 Magazine Well | |

15

EXPLODED VIEW

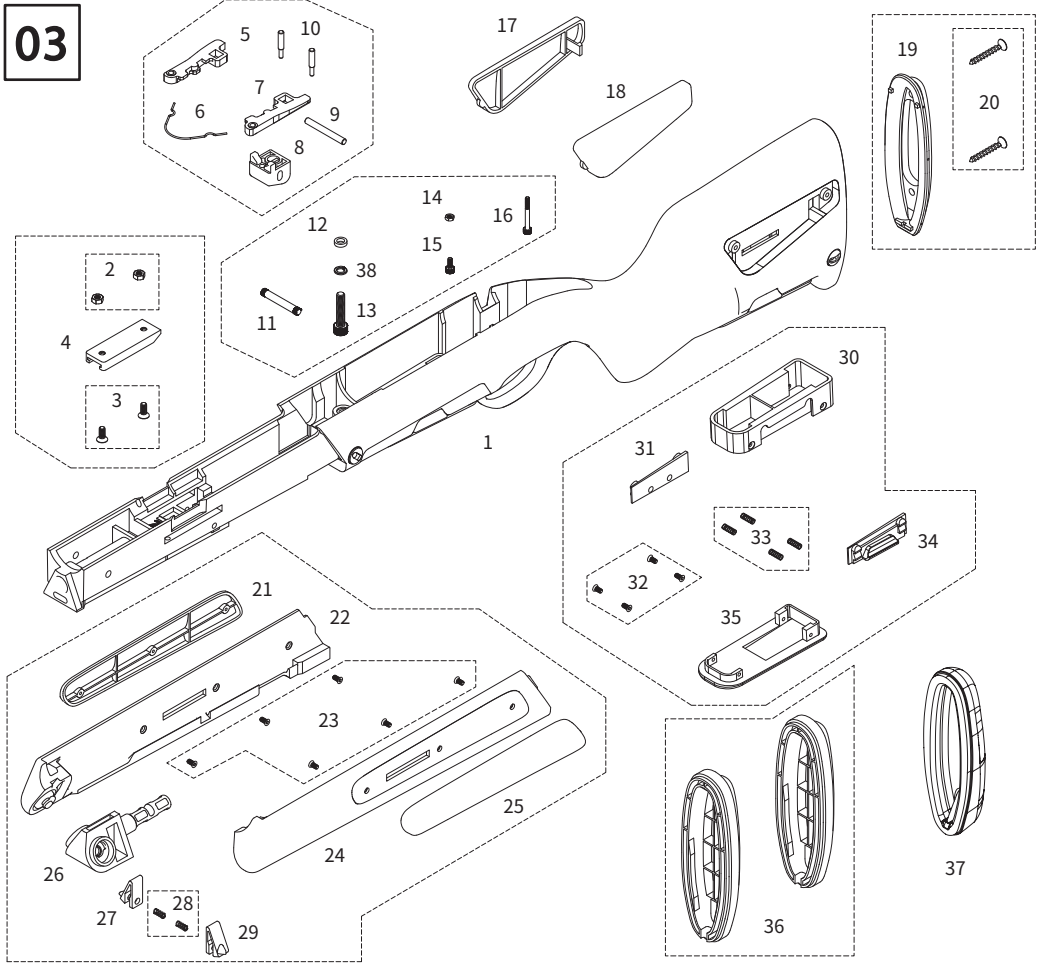
02



02-1	Spring Guide Stopper	02-11	Screw	02-21	Pivot Pin	02-31	Bolt Clip Pin
02-2	Trigger Assembly	02-12	Washer	02-22	M2.5X8 Combine Screw (2 pcs)	02-32	Bolt Clip Spring
02-3	Washer	02-13	Safety Bar	02-23	Enlarge Cylinder Head	02-33	End Cap
02-4	M3X10 Combine Screw	02-14	Positioning Ball	02-24	O-ring	02-34	End Cap Screw
02-5	POM Bushing (front)	02-15	Positioning Spring	02-25	Enlarged Air Brake Piston Head	02-35	Rear Sight Spring
02-6	M3X6 Combine Screw	02-16	Set Screw	02-26	Enlarge Piston	02-36	Rear Sight Nub
02-7	Back Receiver Set	02-17	Safety Pin	02-27	9mm Irregular-pitch Spring	02-37	Rear Sight Base
02-8	POM Bushing (back)	02-18	Lock Piece	02-28	Enlarge Spring Guide	02-38	Rear Sight
02-9	Pin	02-19	Pressure Spring	02-29	Enlarge Bolt	02-39	Rear Sight Pin
02-10	Safety Housing	02-20	Safety Roller Sub-assy	02-30	Bolt Handle	02-40	M4X6 Combine Screw

16

EXPLODED VIEW



- | | | | | | | | |
|-------|--------------------------|-------|------------------------|-------|----------------------|-------|----------------------|
| 03-1 | Stock Body | 03-11 | Bipod Takedown Pin | 03-21 | Right Grip Rail | 03-31 | Right Snap Latches |
| 03-2 | Nut (2 pcs) | 03-12 | Bedding Washer | 03-22 | Right Bipod Body | 03-32 | M3X6 Screw (4 pcs) |
| 03-3 | M4X10 Rail Screw (2 pcs) | 03-13 | Takedown Screw (front) | 03-23 | M2.5X6 Screw (6 pcs) | 03-33 | Spring (4 pcs) |
| 03-4 | Rail | 03-14 | Nut | 03-24 | Left Bipod Body | 03-34 | Left Snap Latches |
| 03-5 | Right Lever Retainer | 03-15 | M3X8 Screw | 03-25 | Left Grip Rail | 03-35 | Fake Bottom Magazine |
| 03-6 | Spring | 03-16 | Takedown Screw (rear) | 03-26 | Bipod Swivel Body | 03-36 | Spacer |
| 03-7 | Left Lever Retainer | 03-17 | Right Stock Insert | 03-27 | Right Spring Clip | 03-37 | Butt Plate |
| 03-8 | Lever Actuator | 03-18 | Left Stock Insert | 03-28 | Spring (2 pcs) | 03-38 | Washer |
| 03-9 | Pin | 03-19 | Butt Stock Cover | 03-29 | Left Spring Clip | | |
| 03-10 | Pin | 03-20 | Screw | 03-30 | Fake Body Magazine | | |



STEYR SCOUT

6MM BOLT ACTION SNIPER RIFLE INSTRUCTION MANUAL

WARNING!

+18

未滿18歲禁止購買，12歲以上需家長陪同。



請隨時保持槍口安全方向，若造成傷害請自行負責。

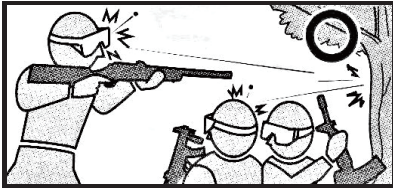


使用前請詳細閱讀說明書。



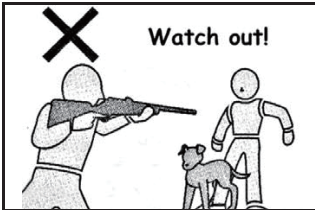
運輸和使用玩具槍應遵守所有相關法律責任。

Steyr Scout Bolt Action Sniper Rifle

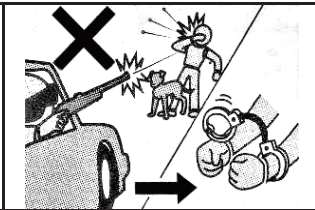


請戴上護目鏡

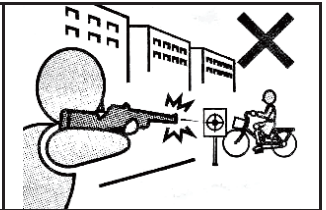
當射擊時，所有參與者必須配戴護目鏡或其他眼部護具。請注意流彈，並應提醒其他在場人員要特別注意安全。



請勿將槍口指向人或動物。



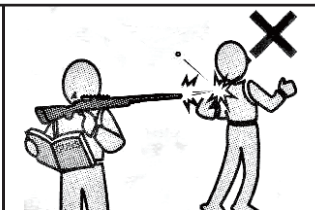
射擊不是玩笑，請於射擊前看清楚目標物。粗心的使用可能會造成傷害，進而遭受處罰。



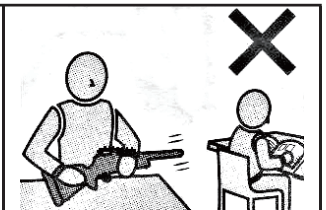
請不要在人、車經過的地方射擊。



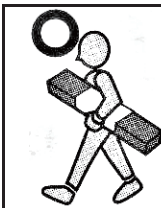
請不要直視槍口。



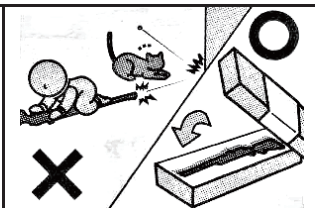
請避免不小心的板機扣壓。



請保持槍口朝向安全位置。



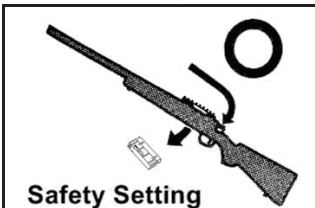
請不要在公共場合隨意攜帶槍支，應將槍支放入槍盒或是槍袋中以便攜帶。



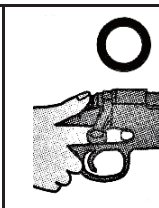
請將槍支安全的放置在孩童無法拿取的地方。



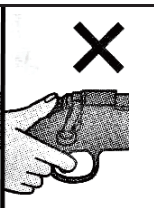
即使彈匣取出，BB彈也有可能從槍中射出去，請小心使用。



尚未射擊前，請將安全調節桿設定在 Safety 位置。



尚未射擊前，請讓手指離開板機。



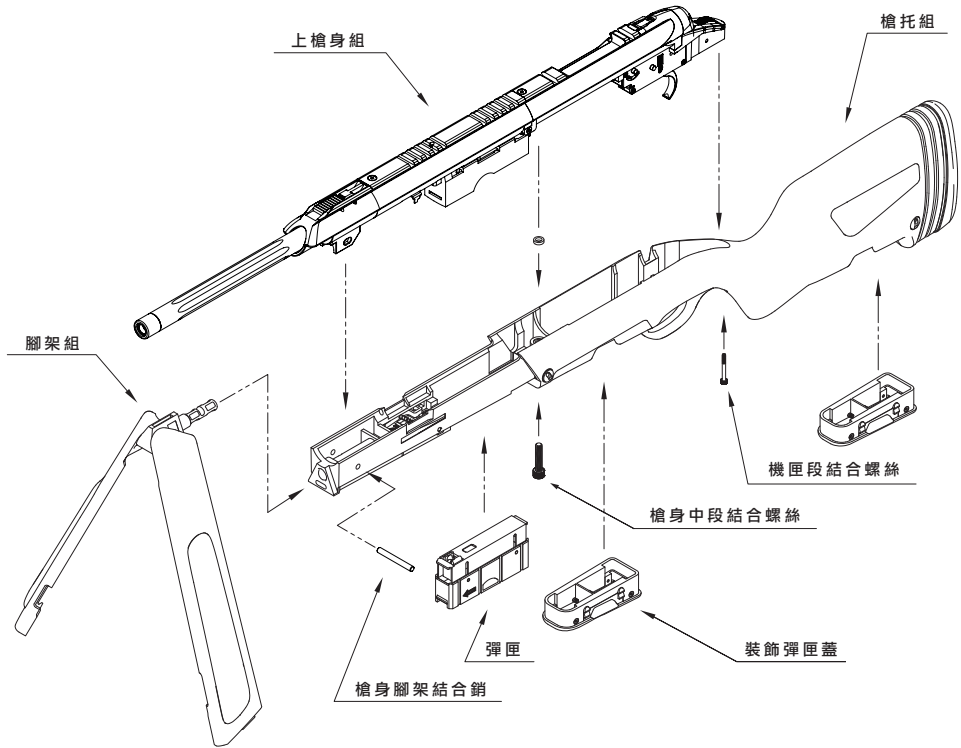
請不要自行拆卸或修改此槍。


警告

- 請了解認識 SCOUT 各項功能後，再操作此槍。
- 摩帝企業有限公司對於因錯誤操作和處理發生的事故、意外、受傷，或因修改和拆卸槍支所產生的維修費用不負任何責任。
- 使用前注意事項：
 - 當您收到 SCOUT 時，請檢查有無損毀或缺少零件。若發現有上述情況時，請立即與您購買的店家聯絡。
 - 如果遺失操作手冊，請即時索取。

1

SCOUT 規格表

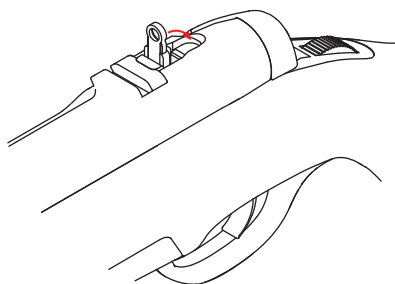
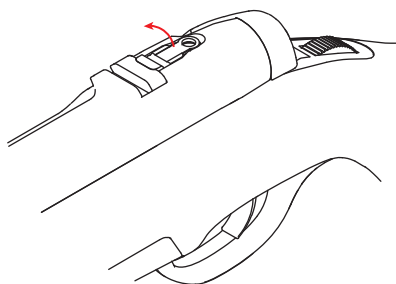


	
重量	2.9 kg
總長	1005 mm
內管長度	363 mm
內管管徑	6.03 mm
Hop調整系統	調節桿&TDC
彈匣容量	32 rds
顏色種類	黑/灰
動力來源(一般/日本)	1.82 J / 0.9 J (彈簧動力栓動式)
彈藥種類	6 mm BB
槍口初速(一般/日本)	443 FPS (135 m/s) / 312 FPS (95 m/s)
此產品內部零件不共用 Tokyo Marui VSR10 系統	

照門

將位於扳機上方的照門直接拉起。

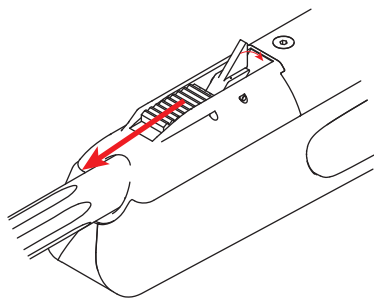
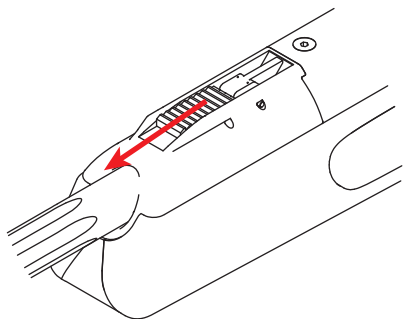
若要將照門收合，直接將照門按回即可。



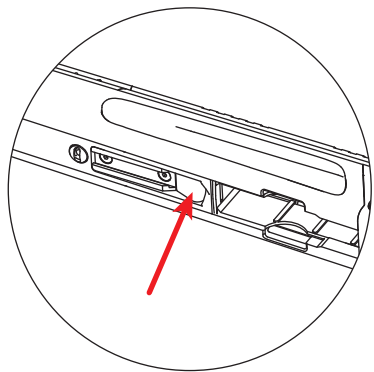
準心

推動前方準心的開關，準心會自動彈起。

若要將準心收起，則需在推動開關後，將準心下壓。



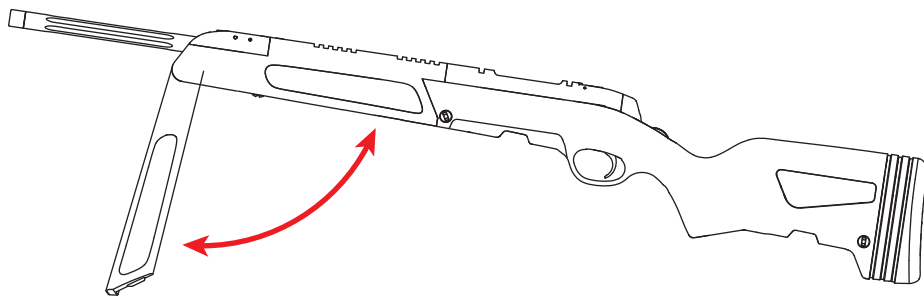
3 腳架操作



按下槍身下方的腳架釋放鈕，即可將兩側腳架展開。

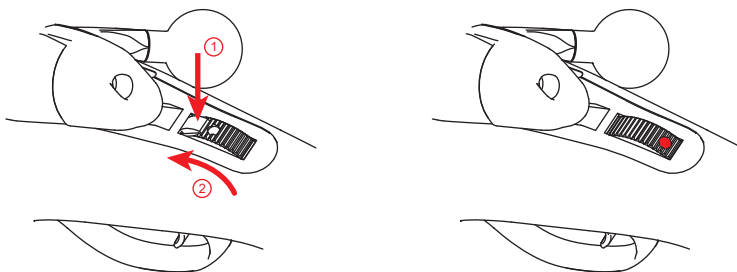
若要收回時，直接將腳架沿槍身溝槽推入。

*腳架卡榫為作動零件，長時間使用可能造成磨損。



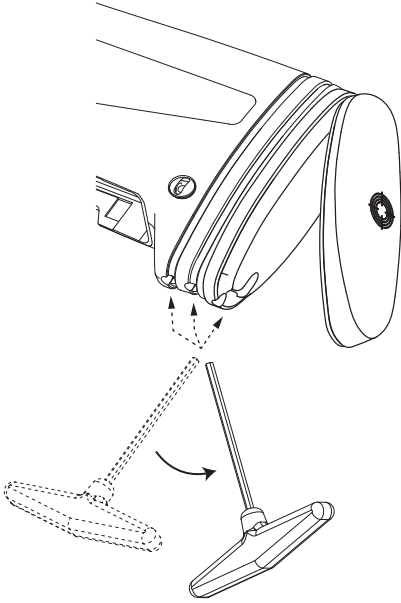
4 保險開關操作

按下白色按鈕後向前即可推動保險開關，若指示器出現紅色，則表示為可擊發狀態。

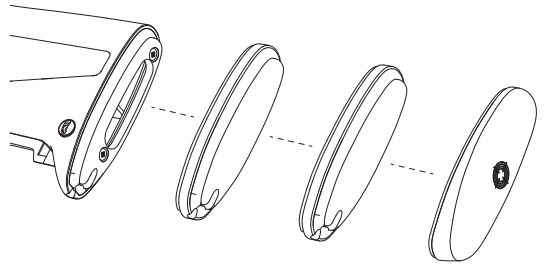


5

後托調整



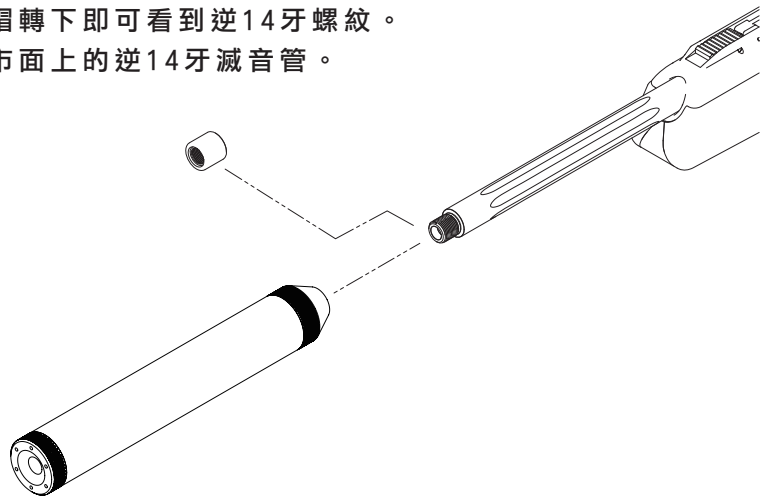
若要改變後托長度，需使用六角扳手或其他工具伸入後托墊下方的孔中撬開取下。



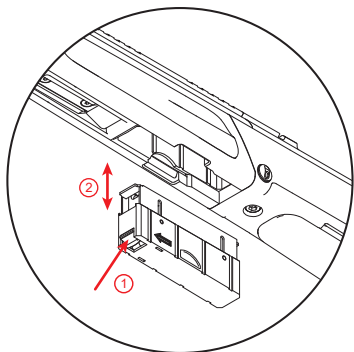
6

滅音管安裝

將前方螺帽轉下即可看到逆14牙螺紋。
可適用於市面上的逆14牙滅音管。



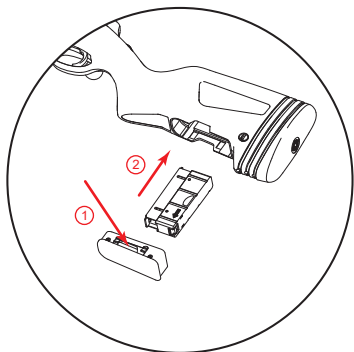
7 彈匣安裝



主彈匣

將彈匣沿溝槽扣入即完成彈匣安裝，反之，按壓彈匣上的卸彈鈕即可將彈匣取下。

*此彈匣與MOD24標準彈匣不共用，需更換內膽。

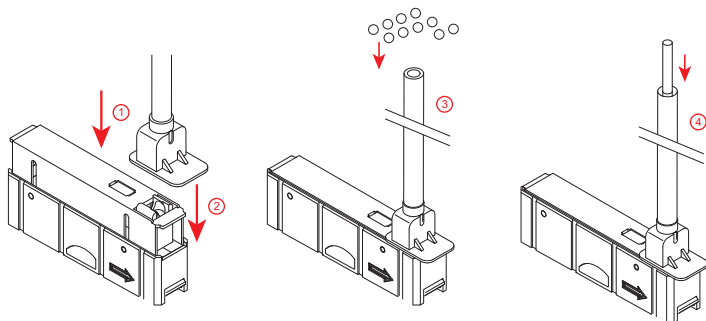


備用彈匣

先按下兩側按鈕可將後方裝飾蓋取下，直立裝入另一個備用彈匣後裝回裝飾蓋即可。

8 BB彈填裝

- (1) 先按壓彈匣露出BB彈含彈嘴後
- (2) 把填彈器裝在彈匣出彈口上
- (3) 將BB彈裝入填彈器中
- (4) 插入推桿推壓以填裝BB彈。

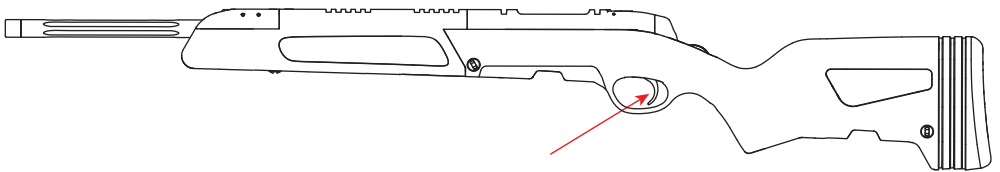
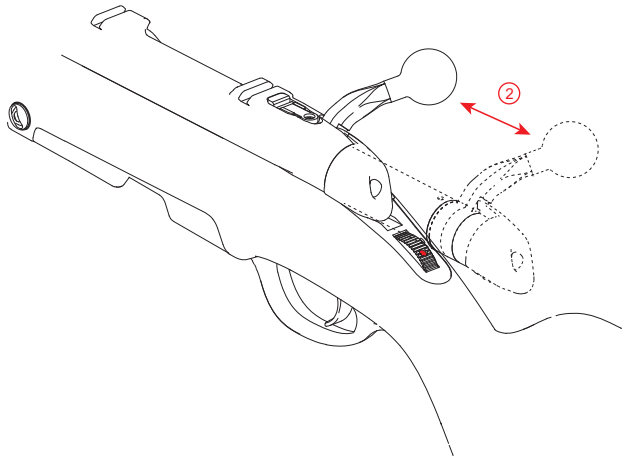
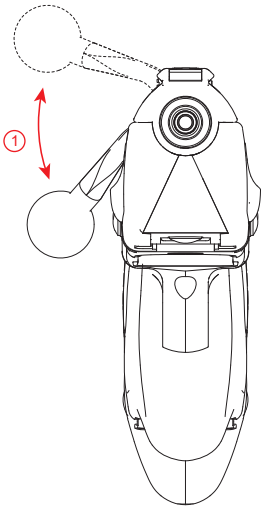


9

射擊準備

- (1) 將槍機拉柄上提後，
- (2) 用力往後拉至上膛。將槍機及拉柄復位後，即可射擊。

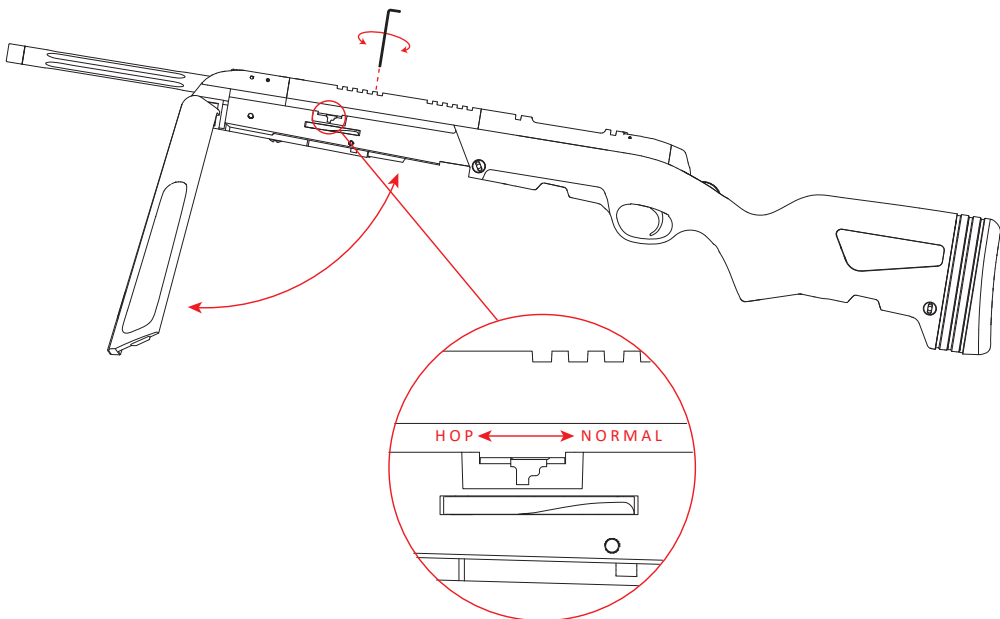
Safe 模式下無法扣壓扳機



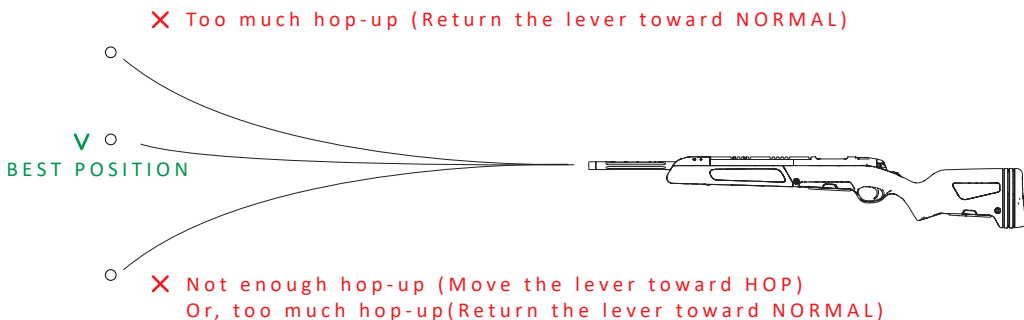
10

HOP UP 調整

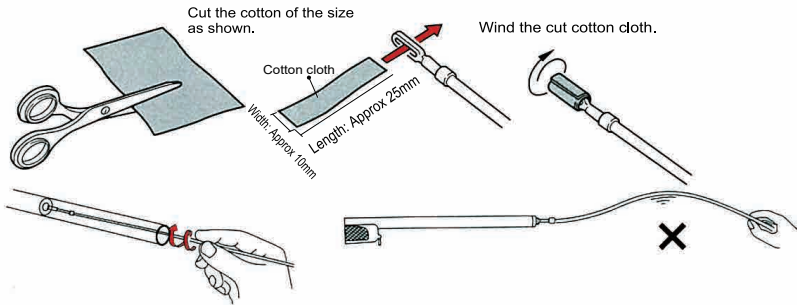
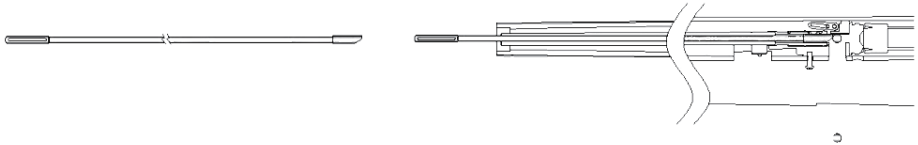
Scout這把槍共有調節桿及TDC兩種Hop調整方式，供玩家擇一使用。調節桿位於腳架下方，而TDC則位於上方魚骨縫隙處，玩家們能在不需更換零件下做切換使用。順時針旋轉TDC螺絲可增加Hop下壓深度，逆時針則反之。



調節桿向槍口推或是TDC順時針選轉可增加Hop，反之則可減少。



請先確認槍管內已無BB彈。

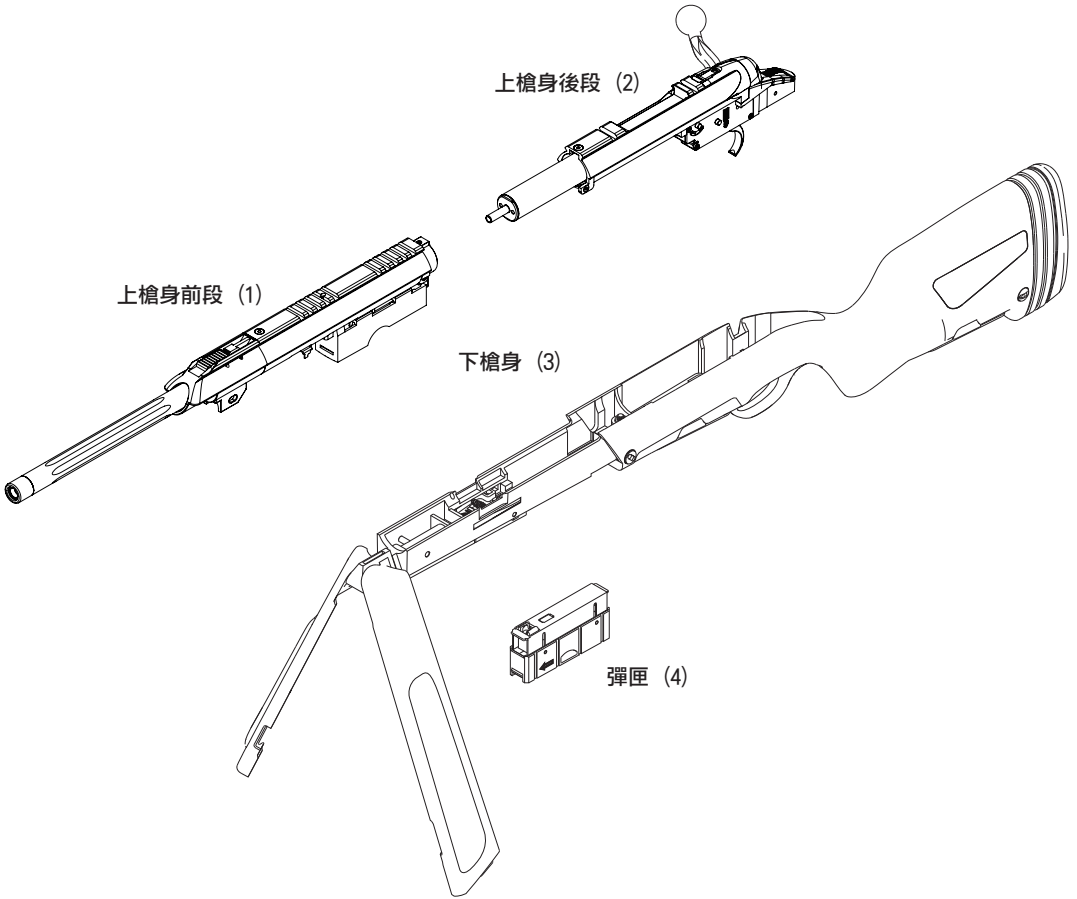


如何正確使用通槍條

用剪刀剪下一塊約25x10mm的拭淨布後穿過通槍條後旋轉纏繞，從槍口伸入後，以旋轉的方式進行槍管清理。

*請不要擦拭到HOP皮，以免造成HOP皮破損或髒汙。

是否是VSR10系統?	與VSR10系統不相容。
是否是MOD24/SSG24系統?	是，但氣缸須更換為加大版本。
與MOD24的彈匣是否共用?	需更換內膽。
零件是否跟MOD24共用?	僅扳機組、Hop座及內管共用。
建議使用的HOP皮?	Predator猛禽皮。
如果遇到卡彈該怎麼辦?	請將槍機後拉至定位，以通槍條進行排除。
當彈道不理想時怎麼辦?	先將槍管清理乾淨後，正確安裝並適當調整HOP位置。
槍枝壞掉該怎麼辦?	請交給當地經銷商或專業技師處理，請勿親自動手，以免影響保固權益。

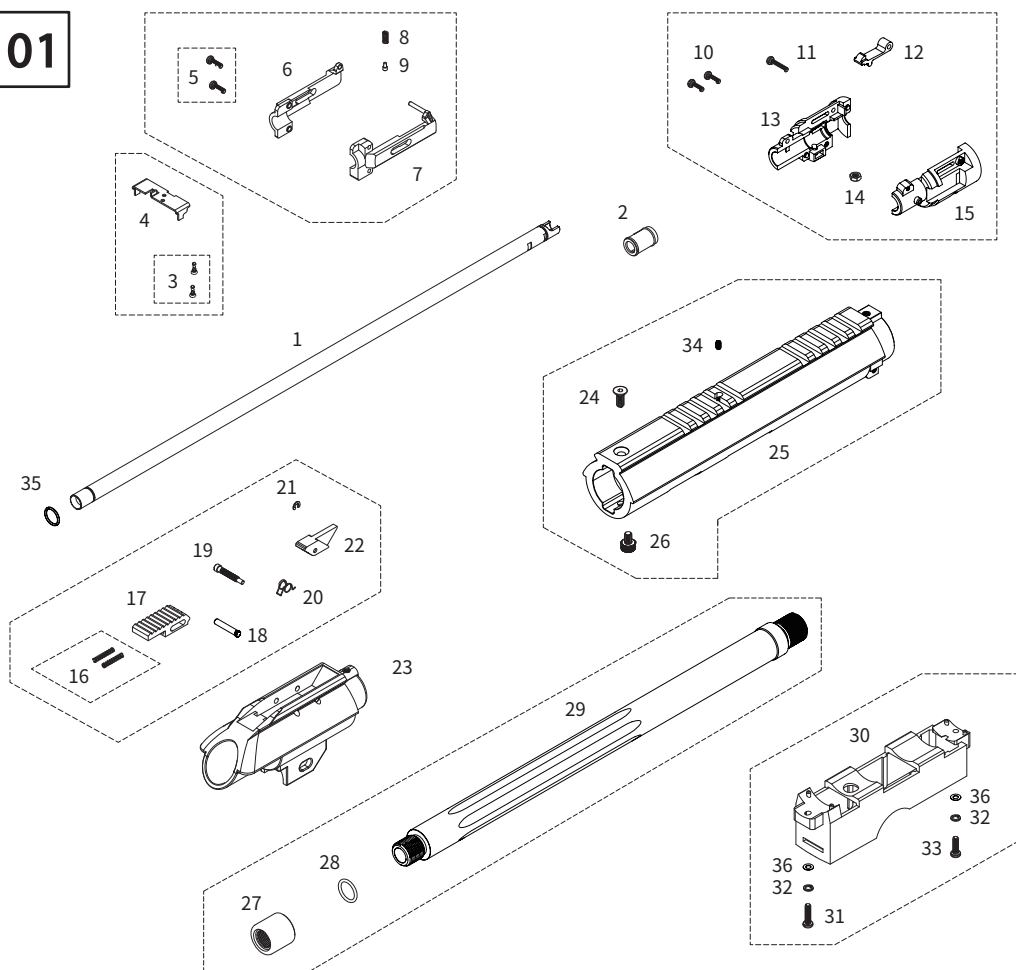


Modify Airsoft
Owners Group



[Steyr Scout]
How-To

01

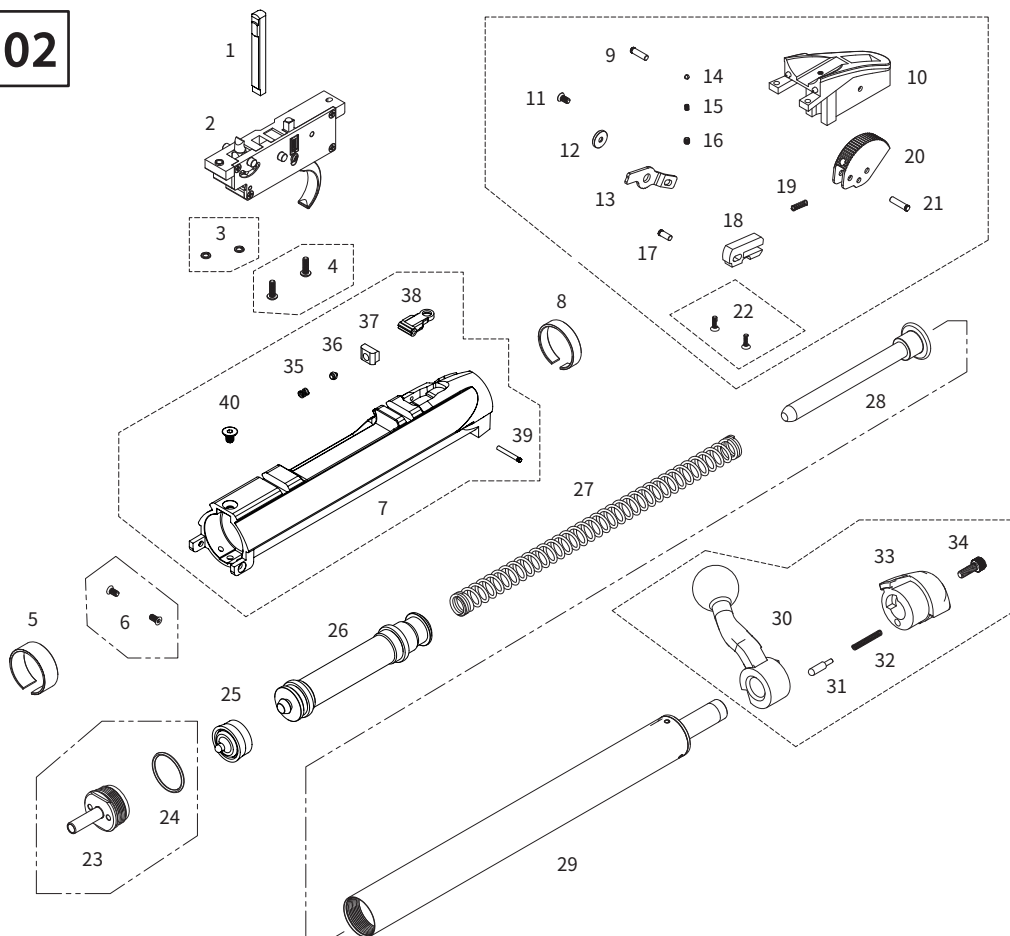


- | | | | |
|----------------------|------------------|----------------|--------------------|
| 01-1 內管 363mm | 01-11 M2.5x12 螺絲 | 01-21 E鉤 | 01-31 M3X12 螺絲 |
| 01-2 Predator Hop皮 | 01-12 下壓桿 | 01-22 準心 | 01-32 彈簧華司 (2入) |
| 01-3 M2X6 螺絲 | 01-13 Hop座 (右側) | 01-23 槍身前段 | 01-33 M3X10 螺絲 |
| 01-4 Hop Up 調節拉桿 | 01-14 螺帽 | 01-24 M4X10 螺絲 | 01-34 M3X5 TDC調整螺絲 |
| 01-5 M2.5x8 螺絲 (2入) | 01-15 Hop座 (左側) | 01-25 槍身中段 | 01-35 內管O環 |
| 01-6 HOP塑膠拉桿 (右側) | 01-16 準心固定片彈簧 | 01-26 M4X6 螺絲 | 01-36 墊片 (2入) |
| 01-7 HOP塑膠拉桿 (左側) | 01-17 準心固定片 | 01-27 外管 槍口蓋 | |
| 01-8 Hop調整拉桿定位彈簧 | 01-18 準心固定片插銷 | 01-28 槍口蓋O環 | |
| 01-9 Hop調整拉桿定位頂桿 | 01-19 準心調整螺絲 | 01-29 外管 | |
| 01-10 M2.5x8 螺絲 (2入) | 01-20 準心固定片彈簧 | 01-30 彈匣框 | |

15

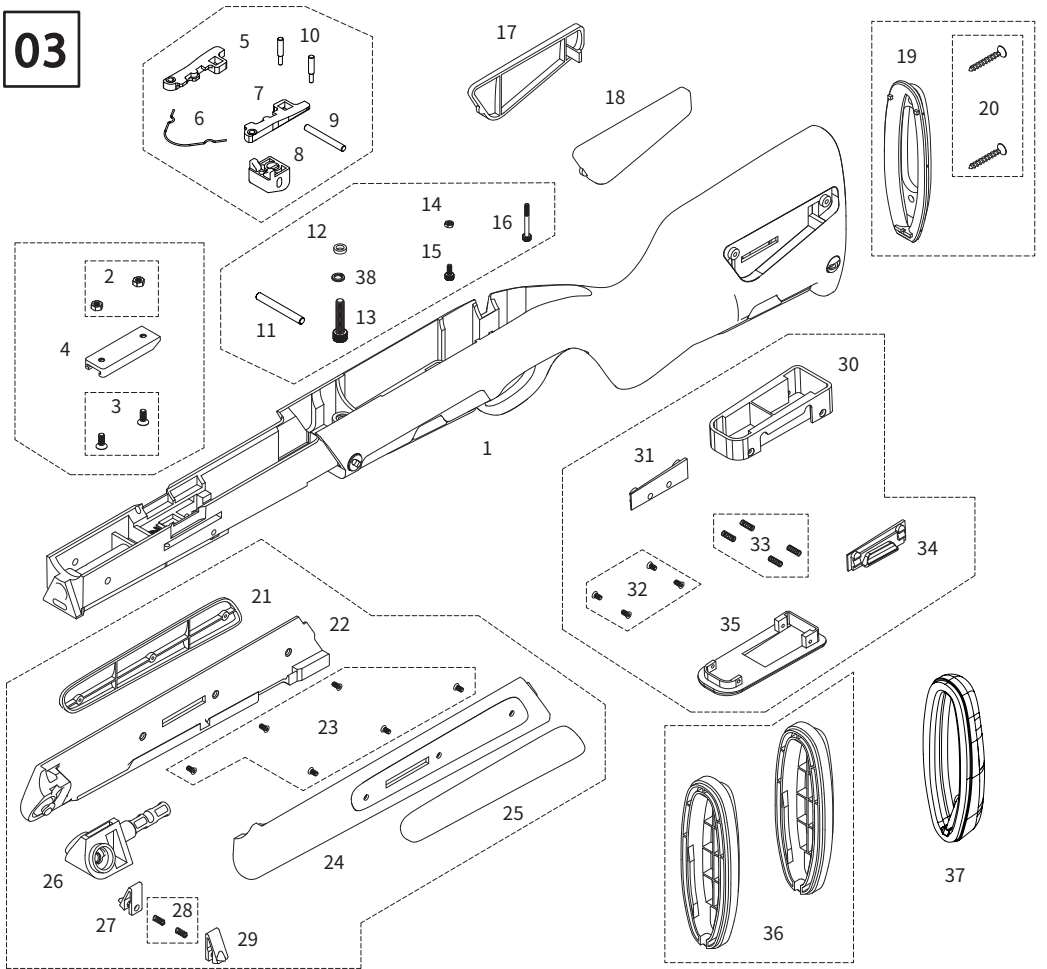
爆炸圖

02



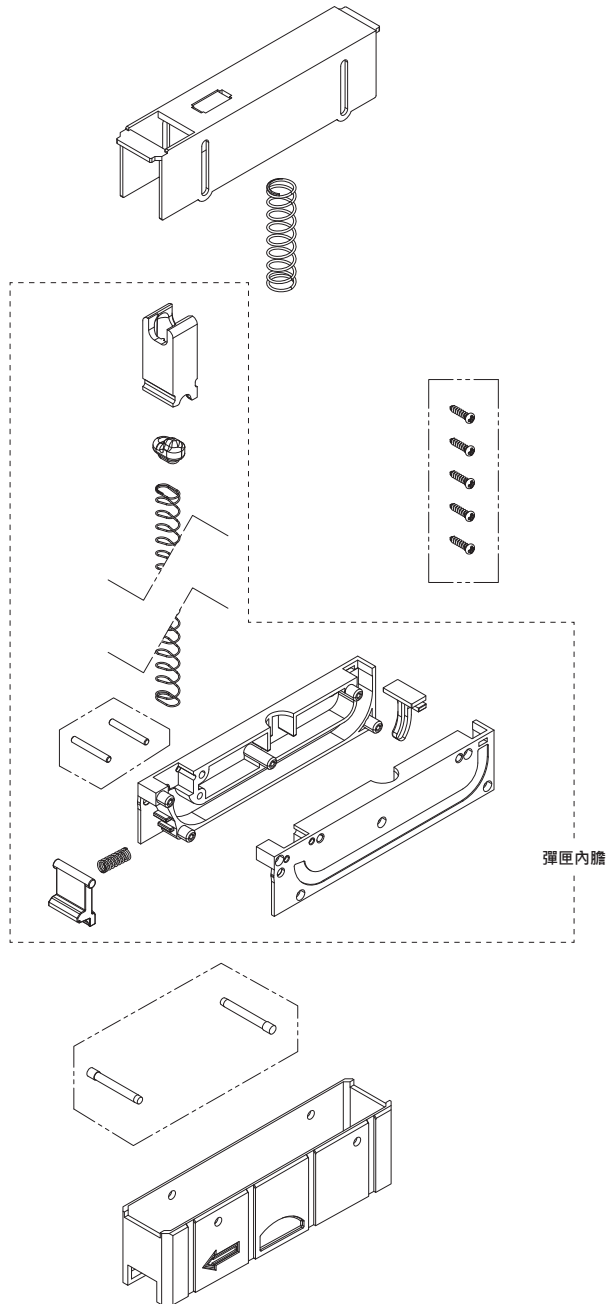
- | | | | |
|------------------|----------------|----------------------|------------------|
| 02-1 長阻鐵 | 02-11 M3X6 螺絲 | 02-21 保險滾輪插銷 | 02-31 拉柄定位桿 |
| 02-2 扳機總成 | 02-12 保險連桿墊片 | 02-22 M2.5X8 螺絲 (2入) | 02-32 拉柄定位彈簧 |
| 02-3 彈簧華司 (2入) | 02-13 保險連桿 | 02-23 加大型氣缸頭 | 02-33 氣缸尾蓋 |
| 02-4 M3X10 螺絲 | 02-14 保險連桿定位鋼珠 | 02-24 加大氣缸頭O環 | 02-34 M4X12 尾蓋螺絲 |
| 02-5 機匣POM襯環 (前) | 02-15 定位鋼珠彈簧 | 02-25 加大活塞拍頭 | 02-35 照門彈簧 |
| 02-6 M3X6 螺絲 | 02-16 M3X3 付螺絲 | 02-26 加大活塞組 | 02-36 照門頂桿 |
| 02-7 機匣段組 | 02-17 保險定位片插銷 | 02-27 9mm 彈簧 | 02-37 照門定位塊 |
| 02-8 機匣POM襯環 (後) | 02-18 保險定位片 | 02-28 加大氣缸尾頂桿 | 02-38 照門 |
| 02-9 保險滾輪運動插銷 | 02-19 保險定位片彈簧 | 02-29 加大氣缸主體 | 02-39 照門固定銷 |
| 02-10 保險底座 | 02-20 保險滾輪 | 02-30 氣缸拉柄 | 02-40 M4X6 螺絲 |

03



03-1 槍托主體	03-11 槍托搖座固定銷	03-21 腳架右側蓋板	03-31 裝飾彈匣卡榫(右)
03-2 螺帽(2入)	03-12 槍身鎖付墊片	03-22 腳架(右)	03-32 M3X6 螺絲(4入)
03-3 M4X10 螺絲(2入)	03-13 M6X28 上槍身前段結合螺絲	03-23 腳架(左)	03-33 裝飾彈匣卡榫彈簧(4入)
03-4 槍托魚骨固定座	03-14 螺帽	03-24 腳架左側蓋板	03-34 裝飾彈匣卡榫(左)
03-5 槍托腳架固定卡榫(右)	03-15 M3X8 螺絲	03-25 腳架搖座主體	03-35 裝飾彈匣底蓋
03-6 腳架固定卡榫異型簧	03-16 M3X30 上槍身後段結合螺絲	03-26 腳架定位卡榫(右)	03-36 槍托墊塊
03-7 槍托腳架固定卡榫(左)	03-17 膠貼右側擋板	03-27 腳架卡榫彈簧(2入)	03-37 槍托底墊
03-8 槍托腳架卡榫按鈕	03-18 膠貼左側擋板	03-28 腳架定位卡榫(左)	03-38 彈簧華司
03-9 腳架卡榫按鈕插銷	03-19 槍托底蓋	03-29 裝飾彈匣外殼	
03-10 腳架固定卡榫插銷	03-20 槍托底蓋固定螺絲		

04





STEYR ARMS GmbH, Austria, and the Steyr logo
are registered trademarks of STEYR ARMS GmbH
- www.steyr-arms.com - and are used for airsoft replicas under license
from ActionSportGames| A/S, Denmark - www.actionsportgames.com.



Manufactured by Modify-tech
www.modify-tech.com
No.21, Ln. 384, Yongfeng Rd.,
Bade Dist, Taoyuan County 334015, Taiwan